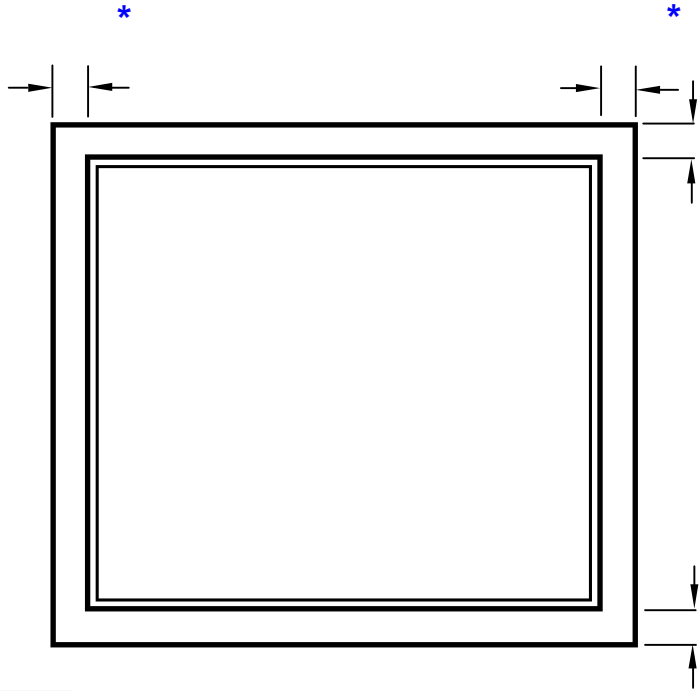


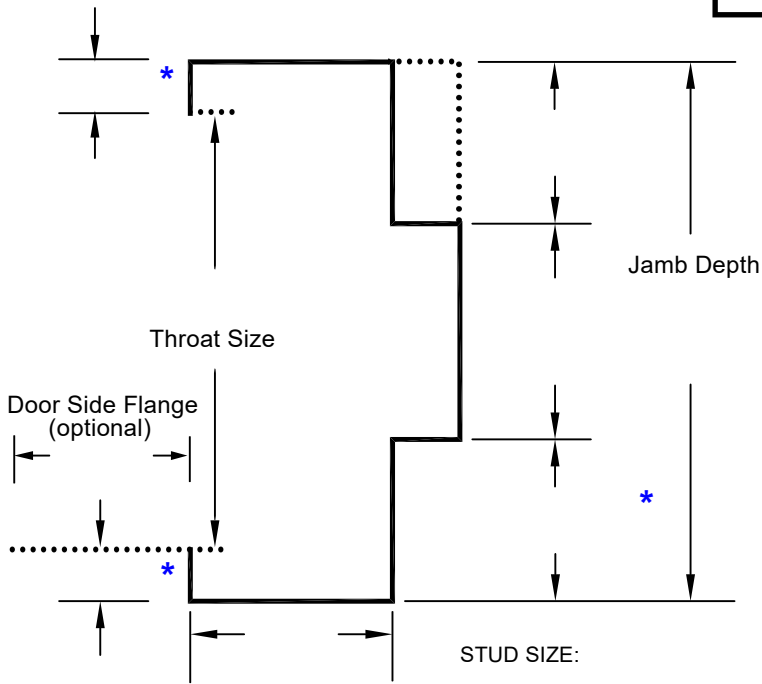
Borrowed Lite Frame				
QTY	MARK NUMBER	FRAME		T
		INSIDE DIMENSION (ID)		
		OUTSIDE DIMENSION (OD)		
		WIDTH (IN)	HEIGHT (IN)	

Material \* Construction \* Gauge \*

All fields marked with an asterisk are prepopulated to DCI standards.



\* Not all ratings available for all construction and anchor options. Please refer to our [Technical Data Manual](#) for further information and restrictions.



MULLIONS (Not available for KD)		MULLION SPACING
None		Evenly Spaced
Vertical	Quantity	Custom Spacing (provide sketch)
Horizontal	Quantity	

Please provide glass thickness if greater than 3/4"

**NOTES:**

Standard 5/8" x 5/8" glass stop included with borrowed lite.

**OTHER DETAILS:**

**ANCHOR PLACEMENT:**

- |                           |  |
|---------------------------|--|
| Standard (all four sides) | Custom (select below)                    |
|                           | Floor anchors at jamb legs, drop-in sill |
|                           | Sill anchor                              |
|                           | Selected anchor at jambs only            |
|                           | Selected anchor at jambs and head only   |

**ANCHOR TYPE:**

For a full description of all DCI anchor types, please refer to our [Technical Data Manual](#). All stud anchors will be spaced for 5/8" wall board penetration unless otherwise noted.



COMPANY NAME :

PO NUMBER :

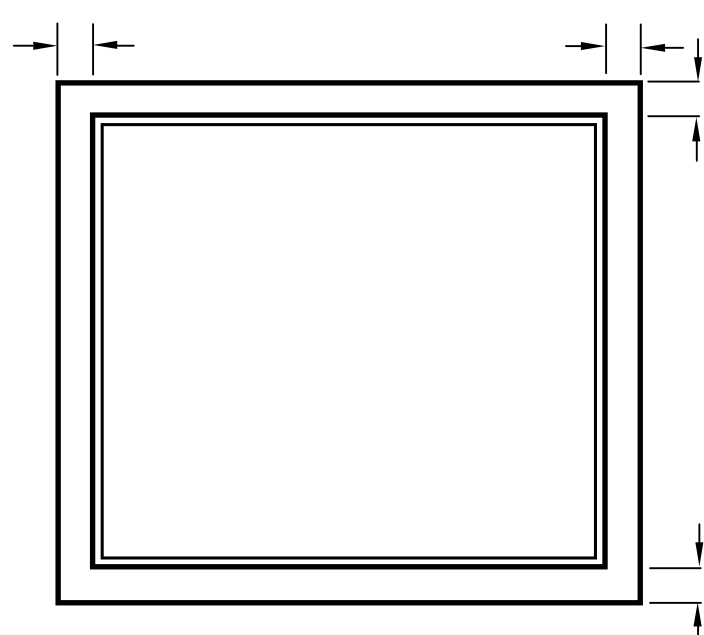
JOB NAME :

PAGE OF

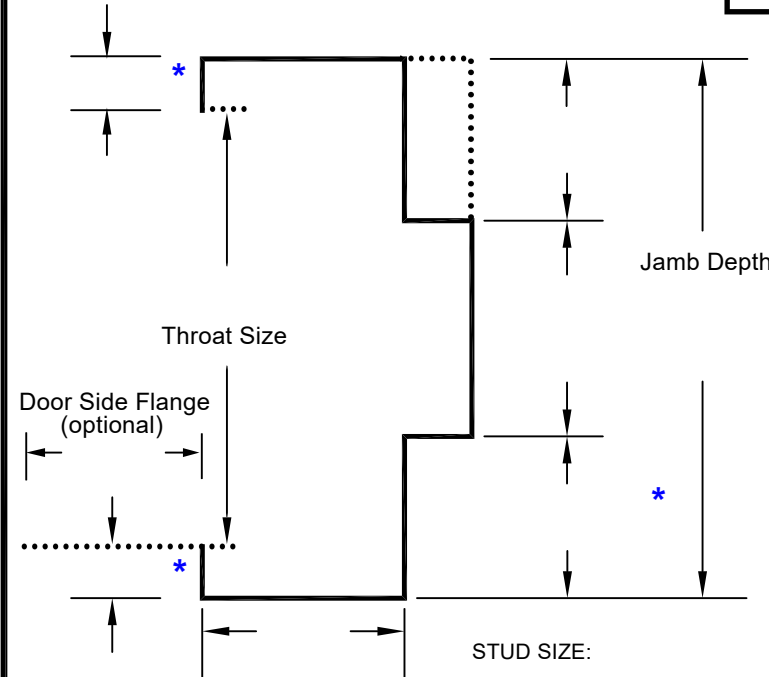
Borrowed Lite Frame				
QTY	MARK NUMBER	FRAME		T
		INSIDE DIMENSION (ID)		
		OUTSIDE DIMENSION (OD)		
		WIDTH (IN)	HEIGHT (IN)	

Material \* Construction \* Gauge \*

All fields marked with an asterisk are prepopulated to DCI standards.



\* Not all ratings available for all construction and anchor options. Please refer to our [Technical Data Manual](#) for further information and restrictions.



MULLIONS (Not available for KD)		MULLION SPACING
None		Evenly Spaced
Vertical	Quantity	Custom Spacing (provide sketch)
Horizontal	Quantity	

Please provide glass thickness if greater than 3/4"

**NOTES:**  
Standard 5/8" x 5/8" glass stop included with borrowed lite.

**OTHER DETAILS:**

**ANCHOR PLACEMENT:**

Standard (all four sides)	Custom (select below)
	Floor anchors at jamb legs, drop-in sill
	Sill anchor
	Selected anchor at jambs only
	Selected anchor at jambs and head only

**ANCHOR TYPE:**  
For a full description of all DCI anchor types, please refer to our [Technical Data Manual](#). All stud anchors will be spaced for 5/8" wall board penetration unless otherwise noted.

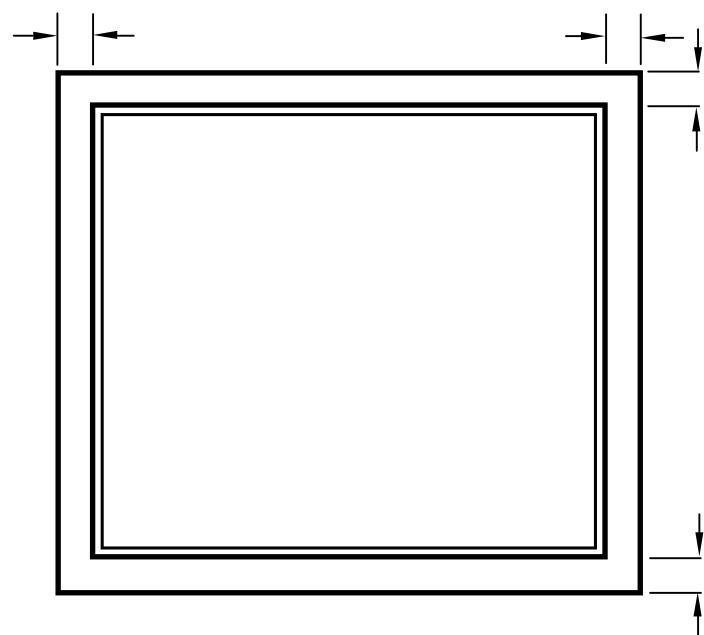


COMPANY NAME :	PO NUMBER :
JOB NAME :	PAGE OF

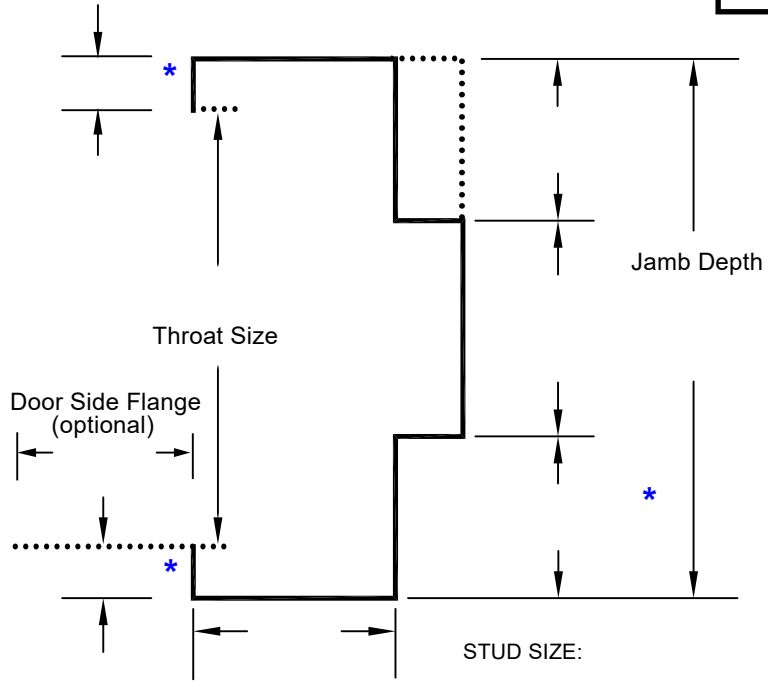
Borrowed Lite Frame				
QTY	MARK NUMBER	FRAME		T
		INSIDE DIMENSION (ID)		
		OUTSIDE DIMENSION (OD)		
		WIDTH (IN)	HEIGHT (IN)	

Material \* Construction \* Gauge \*

All fields marked with an asterisk are prepopulated to DCI standards.



\* Not all ratings available for all construction and anchor options. Please refer to our [Technical Data Manual](#) for further information and restrictions.



MULLIONS (Not available for KD)		MULLION SPACING
None		Evenly Spaced
Vertical	Quantity	Custom Spacing (provide sketch)
Horizontal	Quantity	

Please provide glass thickness if greater than 3/4"

**NOTES:**  
Standard 5/8" x 5/8" glass stop included with borrowed lite.

**OTHER DETAILS:**

**ANCHOR PLACEMENT:**

Standard (all four sides)	Custom (select below)
	Floor anchors at jamb legs, drop-in sill
	Sill anchor
	Selected anchor at jambs only
	Selected anchor at jambs and head only

**ANCHOR TYPE:**  
For a full description of all DCI anchor types, please refer to our [Technical Data Manual](#). All stud anchors will be spaced for 5/8" wall board penetration unless otherwise noted.



COMPANY NAME :

PO NUMBER :

JOB NAME :