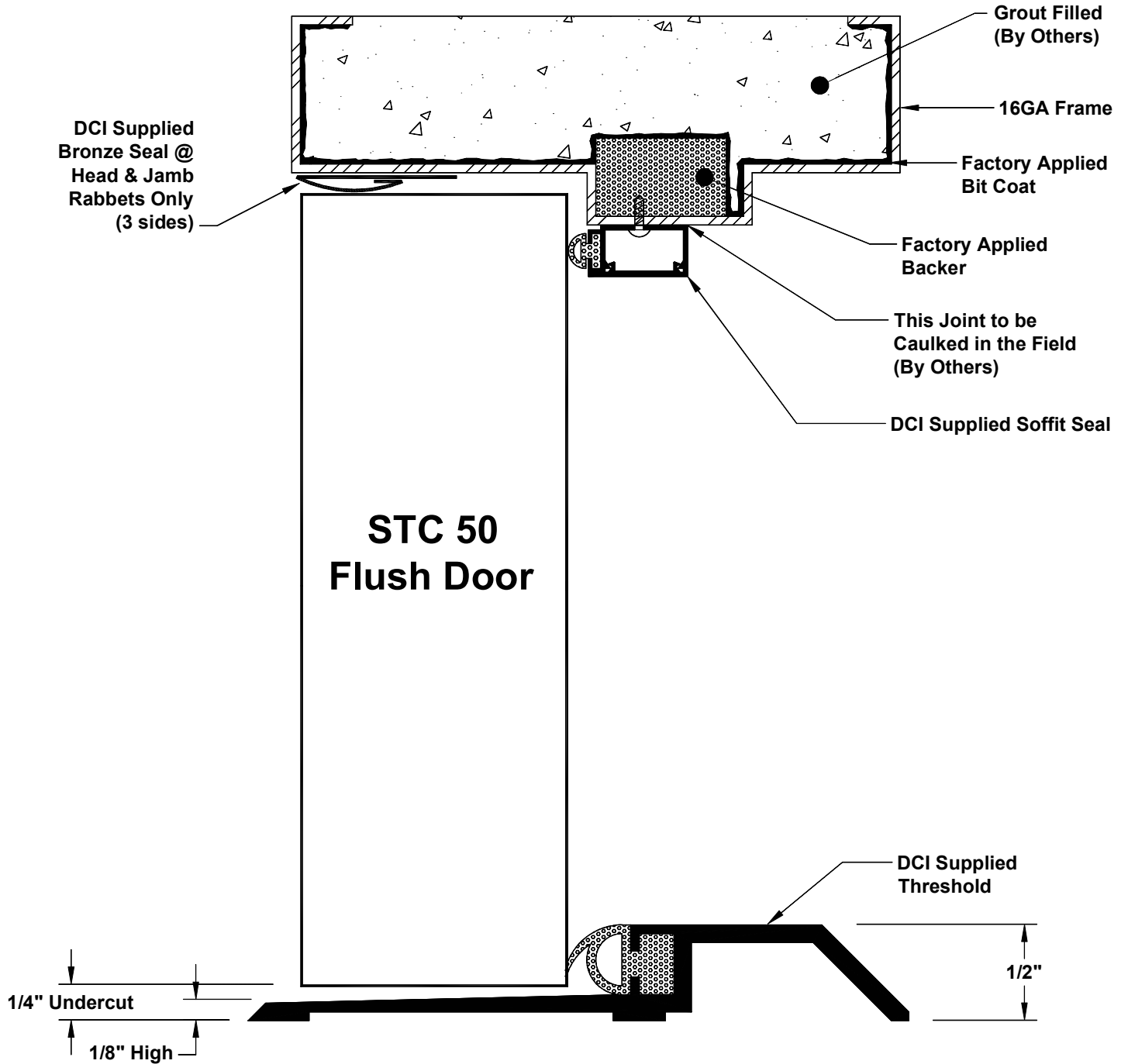
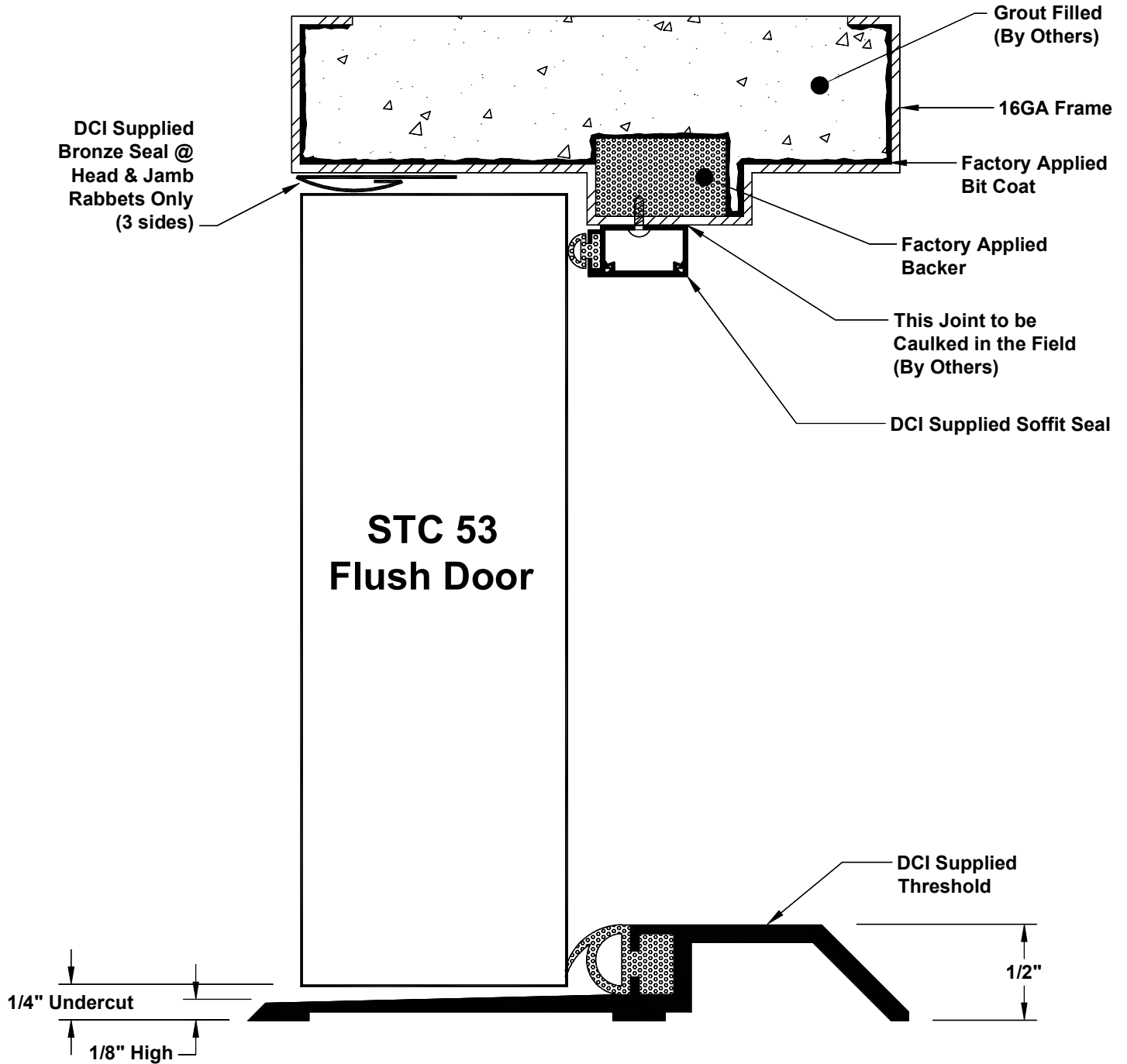


STC 50 FLUSH DOOR ASSEMBLY



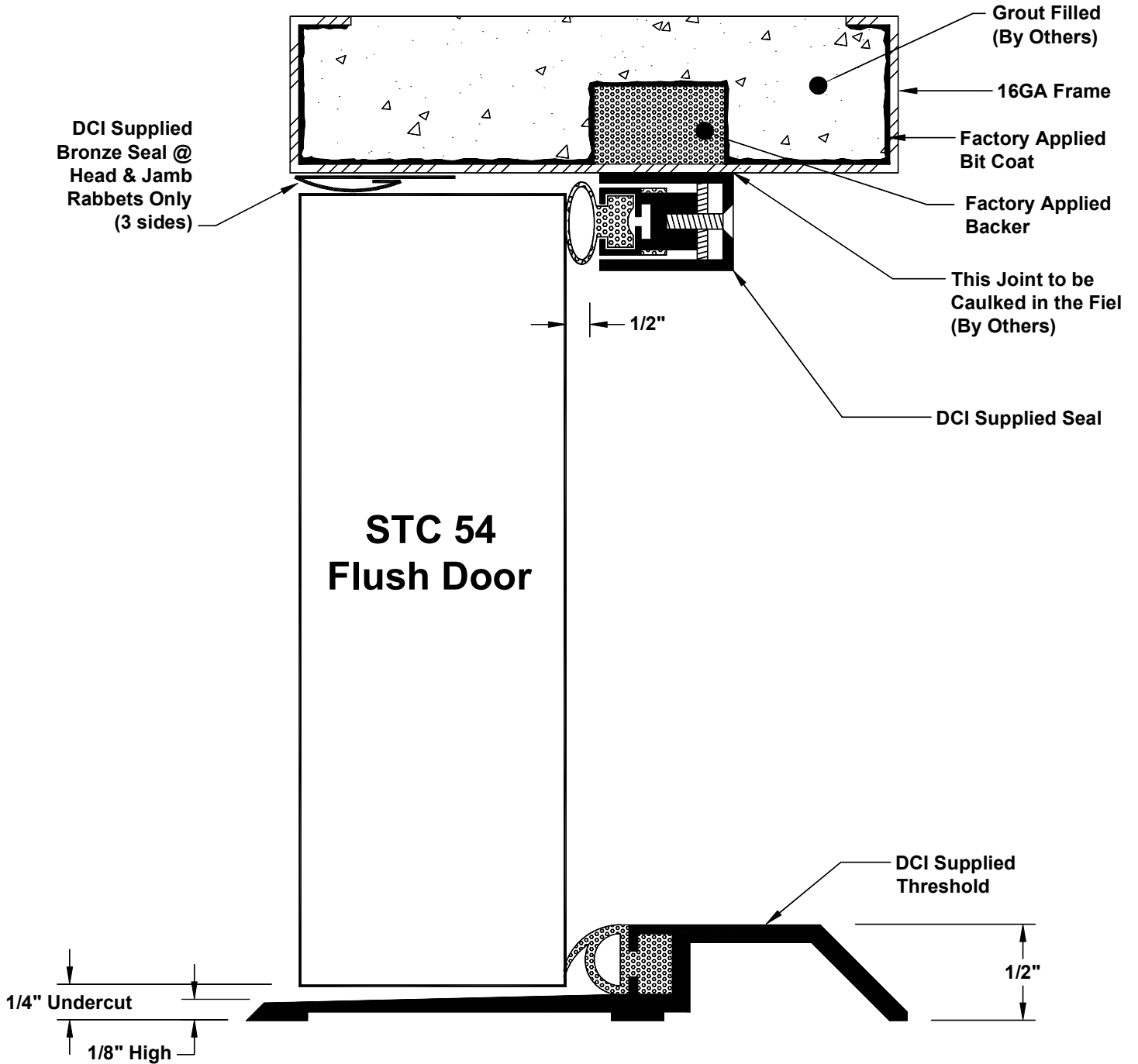
Tested as 3'0"x7'0" with (3) 4-1/2" Hinges, Cylindrical Lock

STC 53 FLUSH DOOR ASSEMBLY



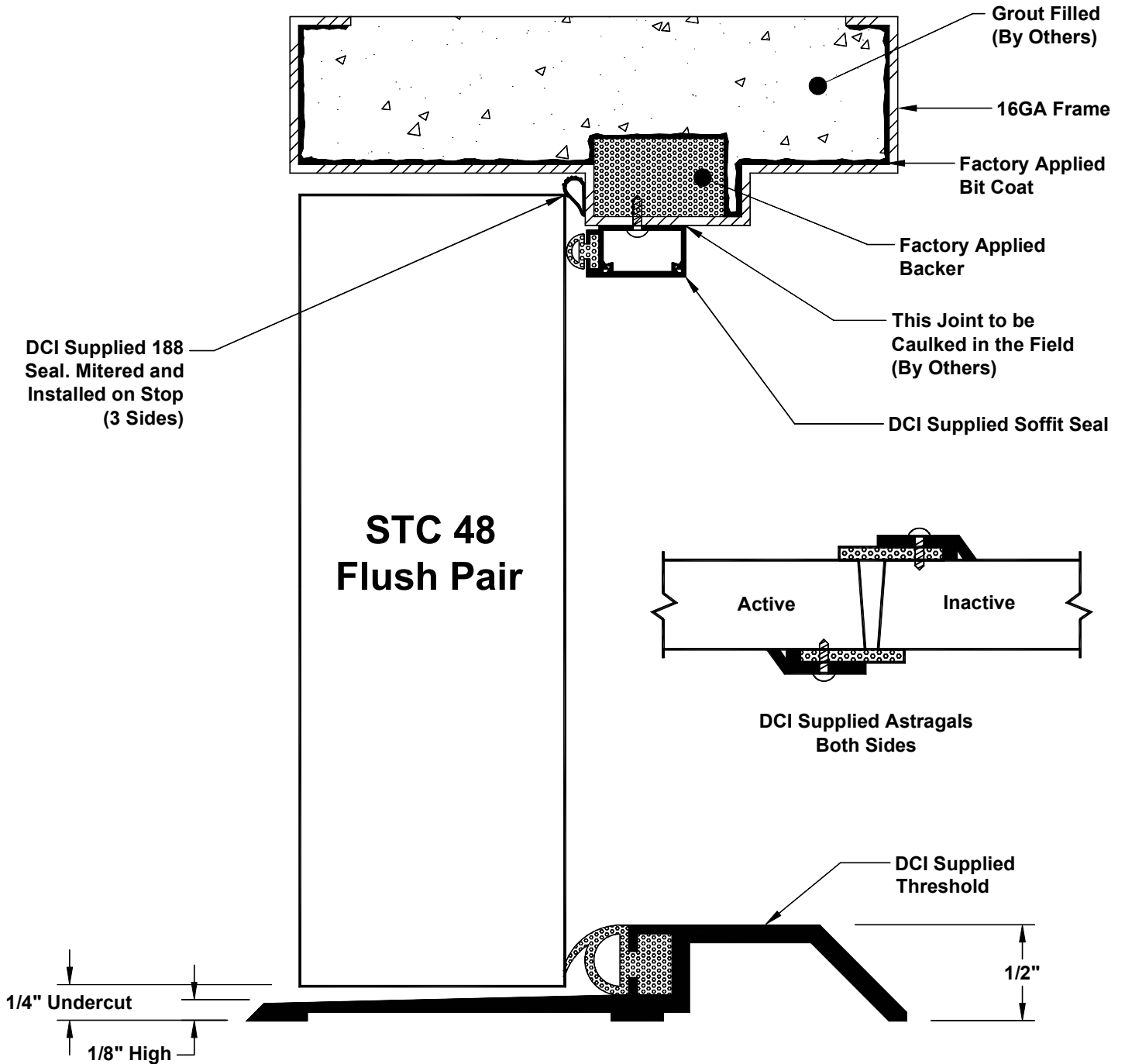
Tested as 3'0"x7'0" with (3) 4-1/2" Hinges, Cylindrical Lock

STC 54 FLUSH DOOR ASSEMBLY

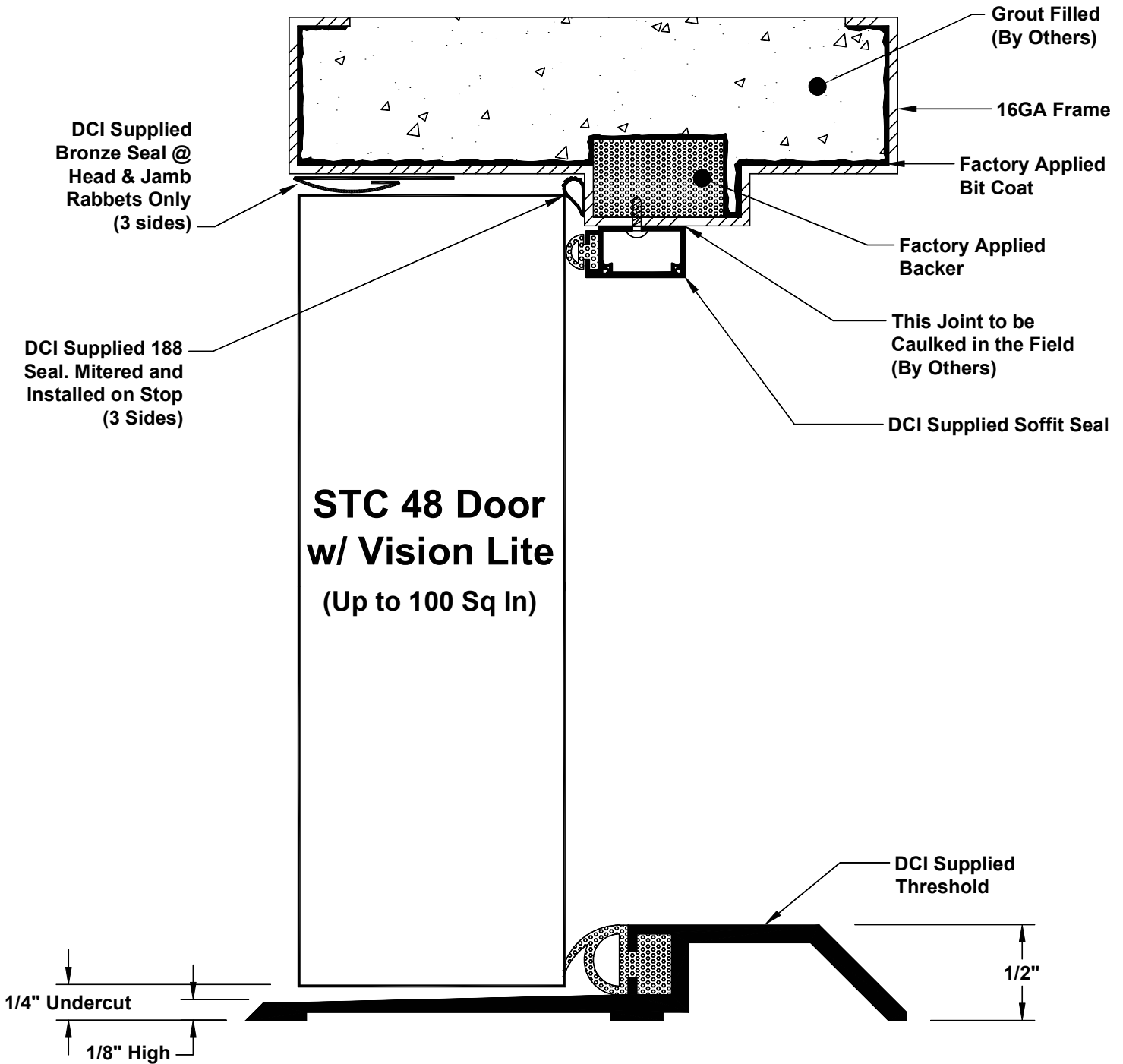


Tested as 3'0"x7'0" with (3) 4-1/2" Hinges, Cylindrical Lock

STC 48 FLUSH DOOR PAIR ASSEMBLY

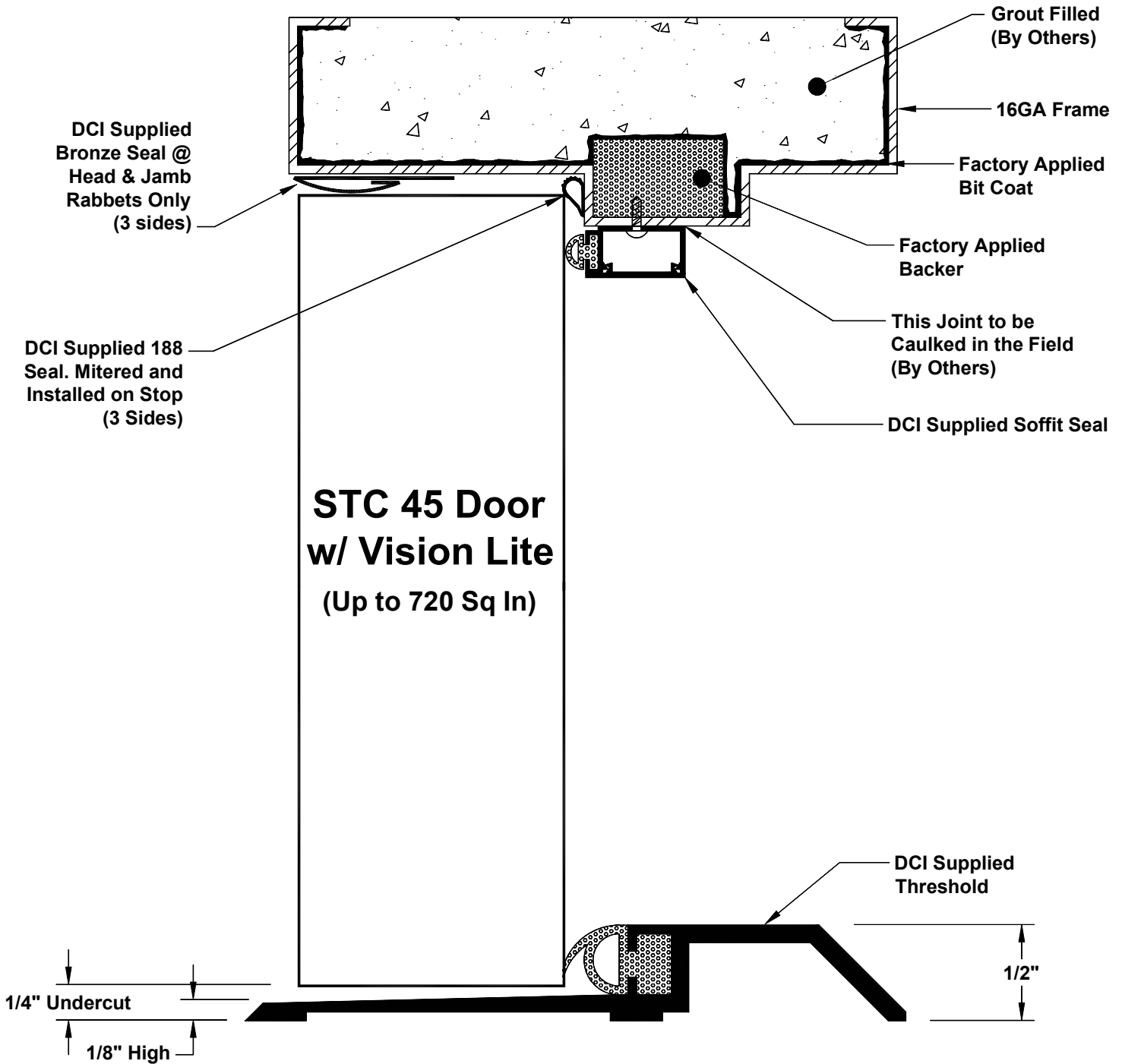


Tested as 6'0"x7'0" with (6) 4-1/2" Hinges, Cylindrical Lock, (2) 6" Manual Flush Bolts



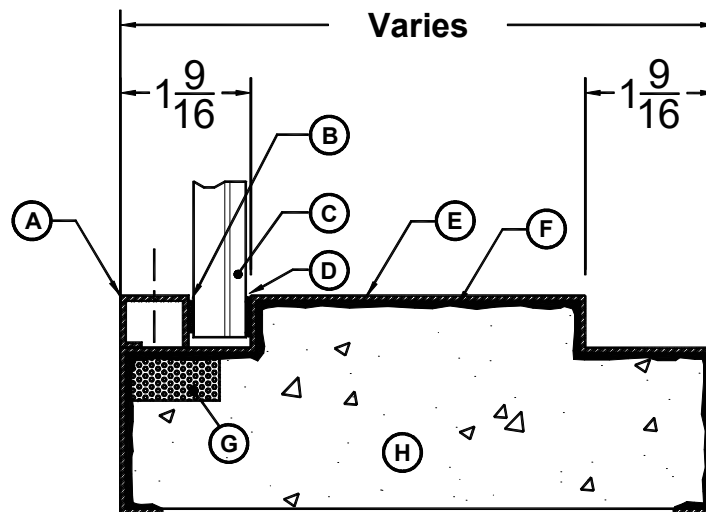
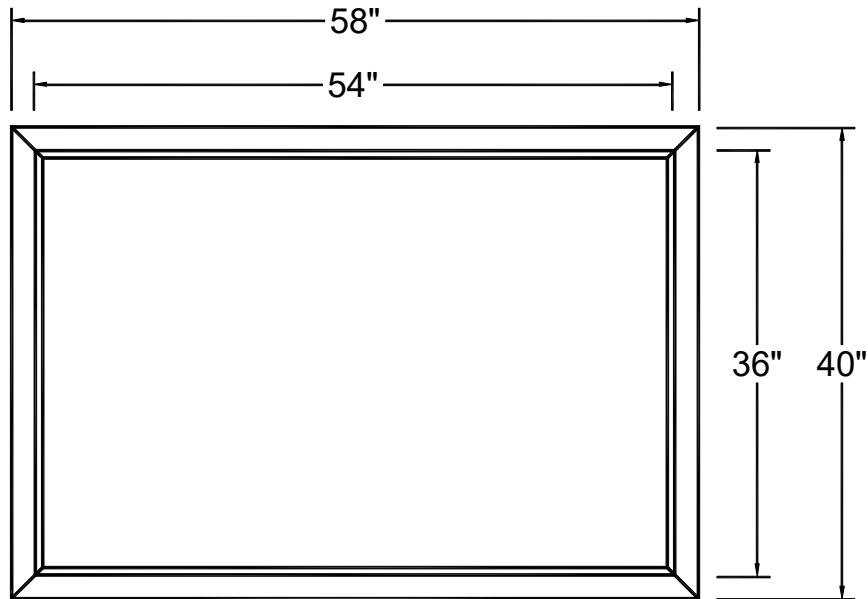
Tested as 3'0"x7'0" with (3) 4-1/2" Hinges, Cylindrical Lock

STC 45 DOOR ASSEMBLY w/ LITE



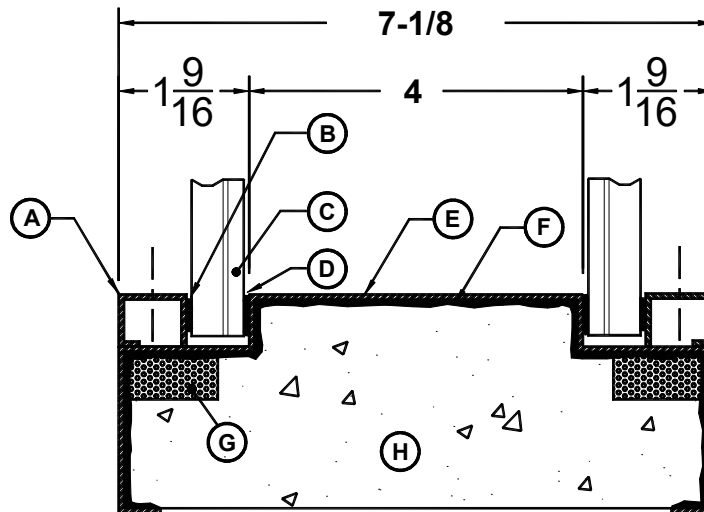
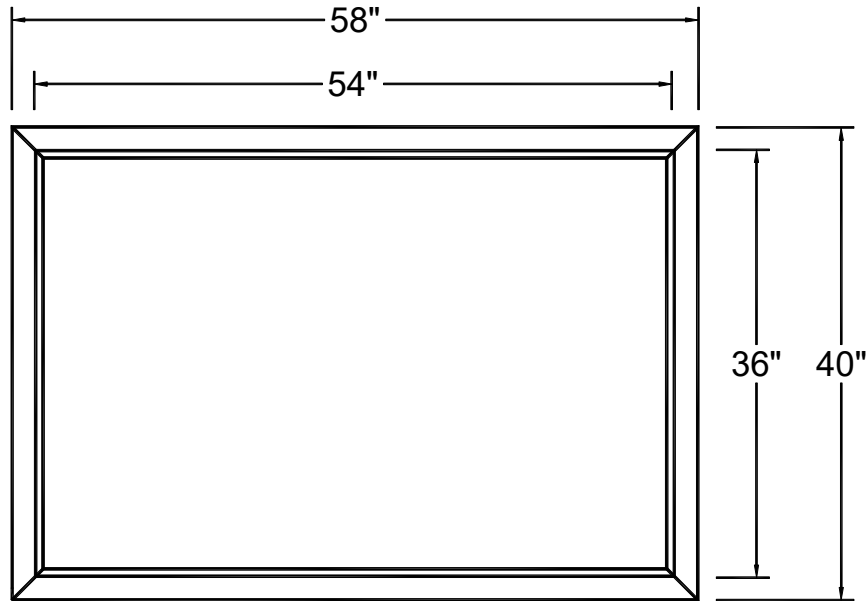
Tested as 3'0"x7'0" with (3) 4-1/2" Hinges, Cylindrical Lock

Maximum Size Tested:



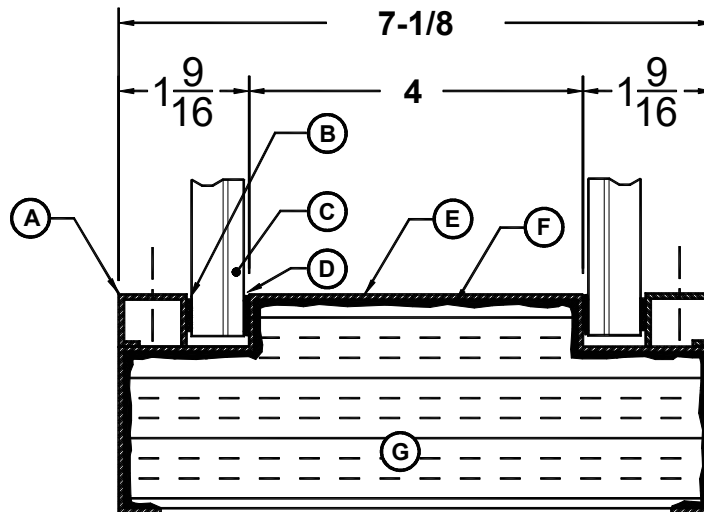
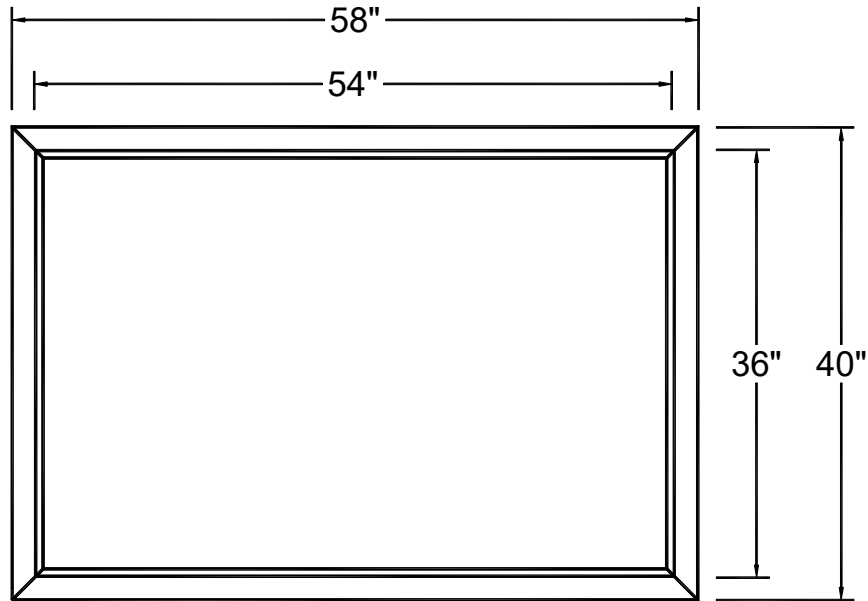
- A. 13/16" x 5/8" Glass Stop
- B. CR Laurence 1/8" x 3/8" Norseal® V730 Acoustical Sealant Tape (By Others)
- C. 5/8" Lam Glass (3/8" + 3/16" with .060" Interlayer) - (By Others)
- D. Stay-Soft Glazing Rope - 1/4" Diameter (By Others)
- E. 16 GA Frame
- F. Factory Applied Bit Coat
- G. Factory Applied Backer
- H. Grout Filled (By Others)

Maximum Size Tested:



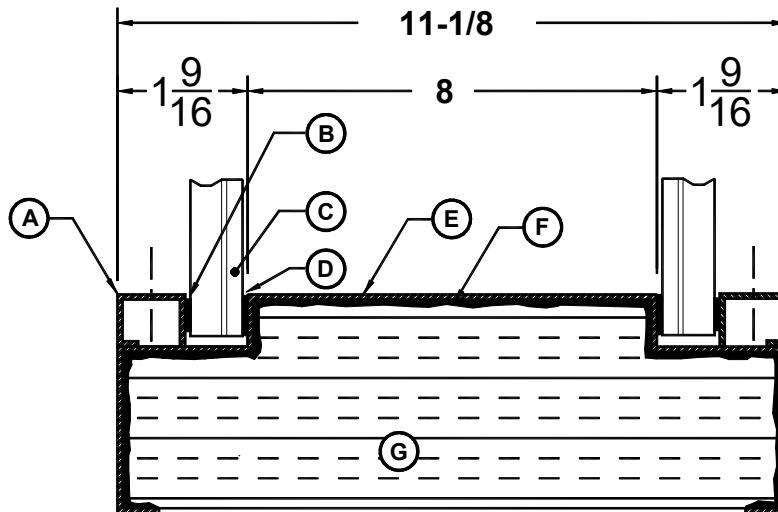
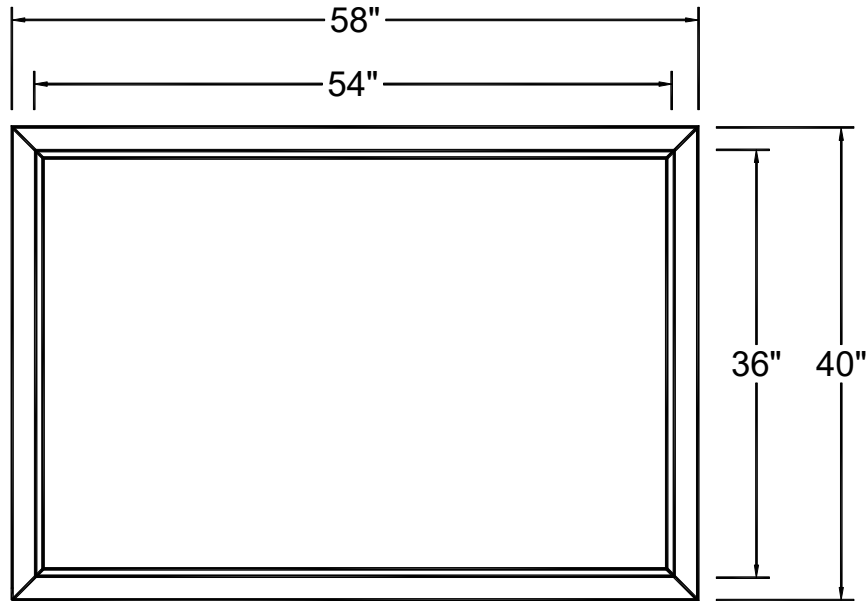
- A. 13/16" x 5/8" Glass Stop
- B. CR Laurence 1/8" x 3/8" Norseal® V730 Acoustical Sealant Tape (By Others)
- C. 5/8" Lam Glass (3/8" + 3/16" with .060" Interlayer) - (By Others)
- D. Stay-Soft Glazing Rope - 1/4" Diameter (By Others)
- E. 16 GA Frame
- F. Factory Applied Bit Coat
- G. Factory Applied Backer
- H. Grout Filled (By Others)

Maximum Size Tested:



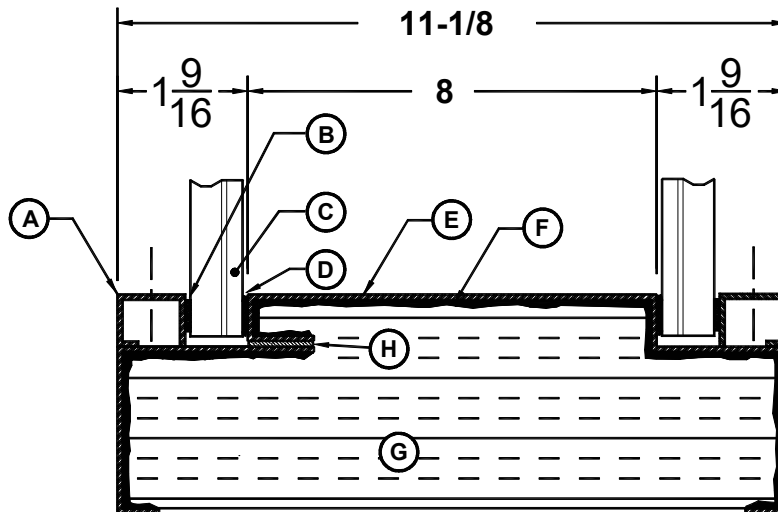
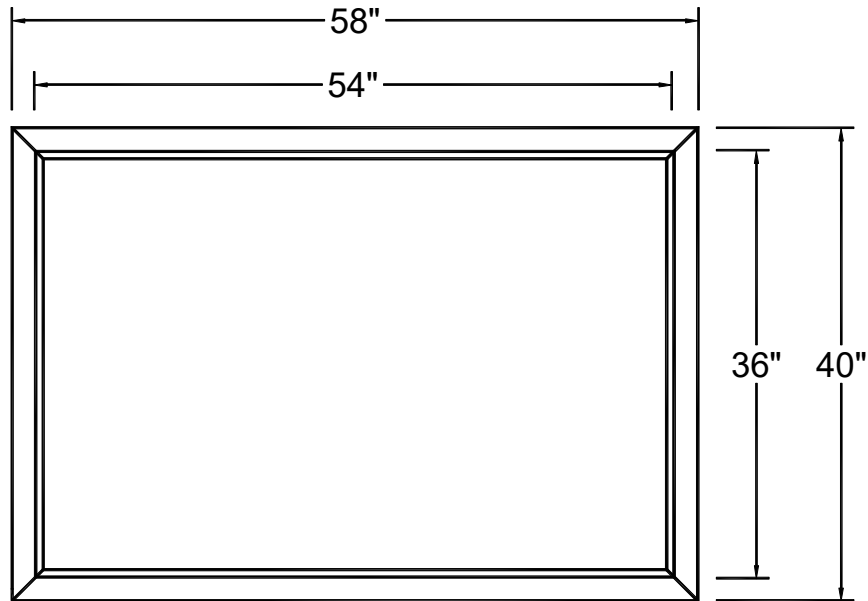
- A. 13/16" x 5/8" Glass Stop
- B. CR Laurence 1/8" x 3/8" Norseal® V730 Acoustical Sealant Tape (By Others)
- C. 5/8" Lam Glass (3/8" + 3/16" with .060" Interlayer) - (By Others)
- D. Stay-Soft Glazing Rope - 1/4" Diameter (By Others)
- E. 16 GA Frame
- F. Factory Applied Bit Coat
- G. Factory Installed Insulation

Maximum Size Tested:



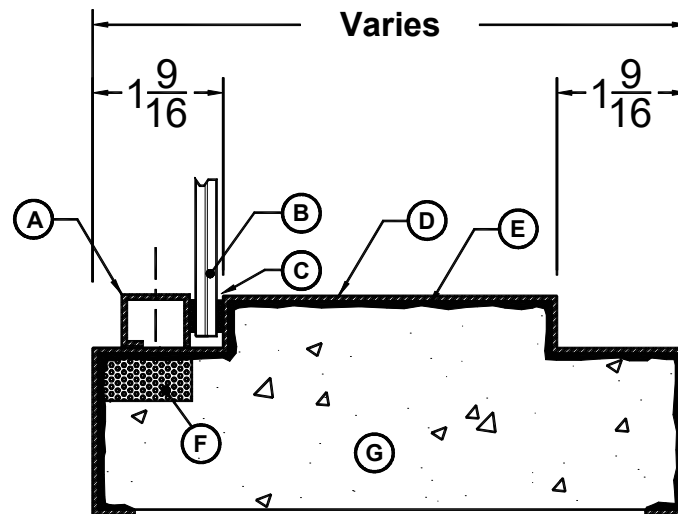
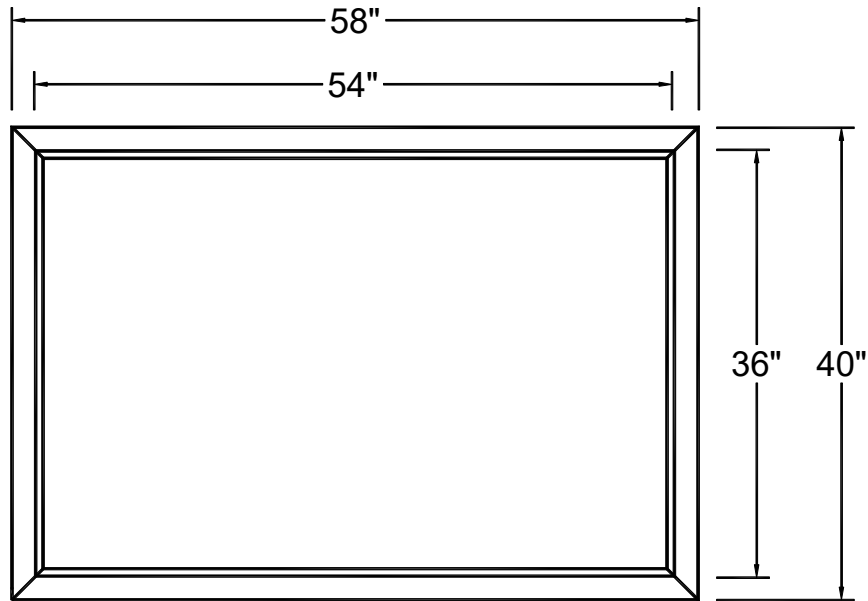
- A. 13/16" x 5/8" Glass Stop
- B. CR Laurence 1/8" x 3/8" Norseal® V730 Acoustical Sealant Tape (By Others)
- C. 5/8" Lam Glass (3/8" + 3/16" with .060" Interlayer) - (By Others)
- D. Stay-Soft Glazing Rope - 1/4" Diameter (By Others)
- E. 16 GA Frame
- F. Factory Applied Bit Coat
- G. Factory Installed Insulation

Maximum Size Tested:



- A. 13/16" x 5/8" Glass Stop
- B. CR Laurence 1/8" x 3/8" Norseal® V730 Acoustical Sealant Tape (By Others)
- C. 5/8" Lam Glass (3/8" + 3/16" with .060" Interlayer) - (By Others)
- D. Stay-Soft Glazing Rope - 1/4" Diameter (By Others)
- E. 16 GA Frame
- F. Factory Applied Bit Coat
- G. Factory Installed Insulation
- H. Sound/Thermal Break

Maximum Size Tested:



- A. 13/16" x 5/8" Glass Stop
- B. 5/16" FireLite Plus® Glazing (By Others)
- C. Rated Glazing Tape (By Others)
- D. 16 GA Frame
- E. Factory Applied Bit Coat
- F. Factory Applied Backer
- G. Grout Filled (By Others)