

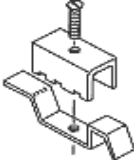
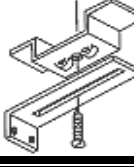
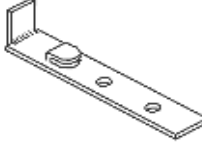
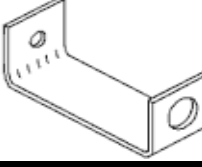
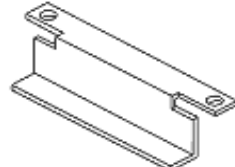
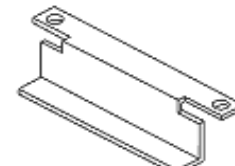
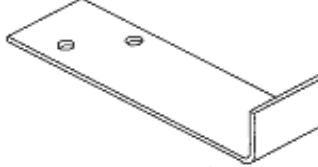
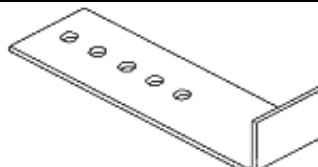


PARTS CATALOG - June 14, 2014

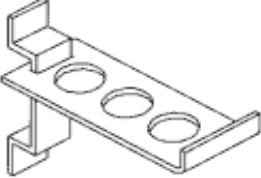
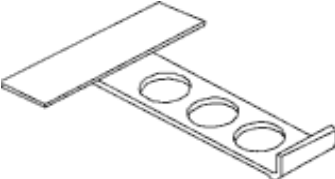
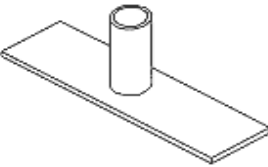
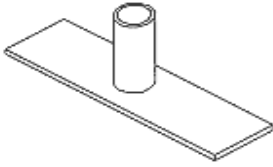
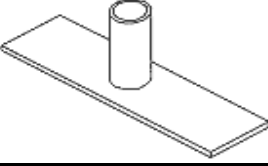
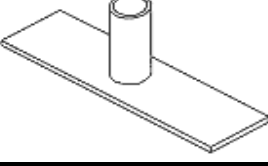
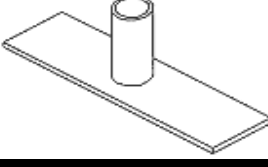
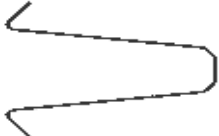
TABLE OF CONTENTS

- | | |
|------------------|---|
| Section 1 | ANCHORS |
| Section 2 | HINGE REINFORCEMENTS & ACCESSORIES |
| Section 3 | LOCK AND STRIKE REINFORCEMENTS & ACCESSORIES |
| Section 4 | MISCELLANEOUS REINFORCEMENTS & ACCESSORIES |

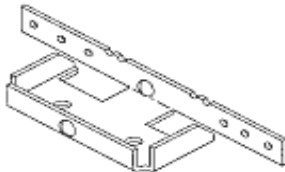
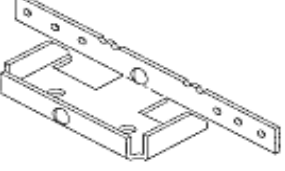
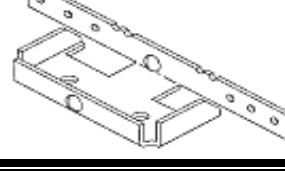
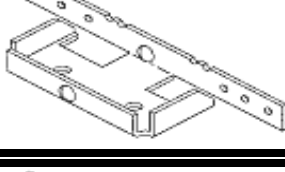
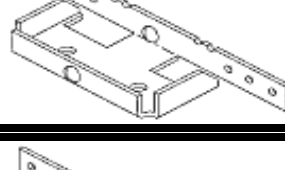
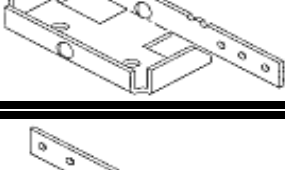
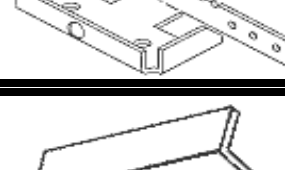
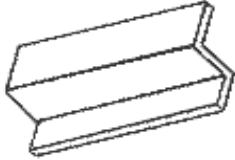
ANCHORS

Part Number	Description	Drawing
560	Pressure Clamp Assembly, 16 Ga.	
570	Adjustable Floor Anchor, 16 Ga.	
580	Sill Strap Anchor With Locking Tab Two Nailing Holes, 18 Ga.	
680	Masonry Compression Anchor, Channel Type, 1/2" & 1" Holes, 14 Ga	
600	Wood Stud Anchor, 2 x 4 Stud, Welded Type, 18 Ga.	
610	Wood Stud Anchor, 2 x 6 Stud, Welded Type, 18 Ga.	
615	Strap Anchor, 1" x 4-1/2" x 1-1/4" Wide, Two 3/16" Nailing Holes, 16 Ga.	
618	Strap Anchor, 1" x 5" x 1" Wide, Five 3/16" Nailing Holes, 18 Ga.	







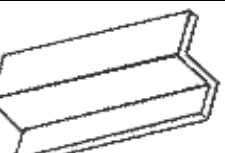

ANCHORS

Part Number	Description	Drawing
660	Adjustable Masonry Anchor, 1" Round Holes, 1/4" Locking Flange, 16 Ga.	
670	Masonry Tee Anchor, 1" Round Holes, 1/4" Locking Flange, 16 Ga.	
690	Masonry Tube Anchor, 3/4" EMT Tubing, 2" Strap Width, 5-3/4 Unequal Rabbet, 16 Ga.	
691	Masonry Tube Anchor, 3/4" EMT Tubing, 2" Strap Width, 4-3/4 Unequal Rabbet, 16 Ga.	
692	Masonry Tube Anchor, 3/4" EMT Tubing, 2" Strap Width, 6-3/4 Unequal Rabbet, 16 Ga.	
693	Masonry Tube Anchor, 3/4" EMT Tubing, 2" Strap Width, 7-3/4 Unequal Rabbet, 16 Ga.	
694	Masonry Tube Anchor, 3/4" EMT Tubing, 2" Strap Width, 8-3/4 Unequal Rabbet, 16 Ga.	
WA	Masonry Wire Anchor, 3/16" DIA, 18 Ga.	

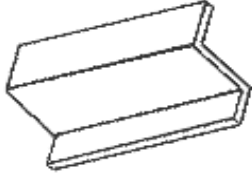
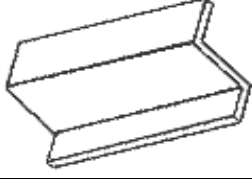
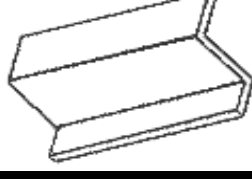
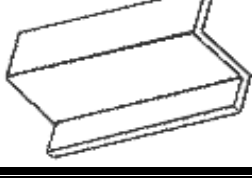
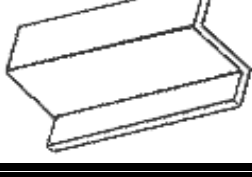

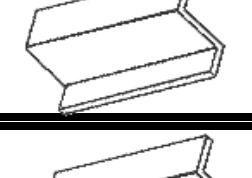
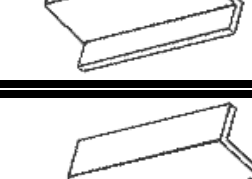

ANCHORS

Part Number	Description	Drawing
MPA434	4-3/4" Multi-Purpose Anchor	
MPA534	5-3/4" Multi-Purpose Anchor	
MPA614	6-1/4" Multi-Purpose Anchor	
MPA634	6-3/4" Multi-Purpose Anchor	
MPA734	7-3/4" Multi-Purpose Anchor	
MPA814	8-1/4" Multi-Purpose Anchor	
MPA834	8-3/4" Multi-Purpose Anchor	
Z20	Recessed Z-Clip, 2" Long x 1-7/16" Deep , 16 Ga.	

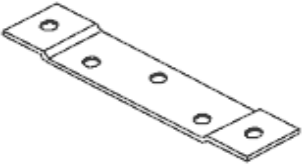
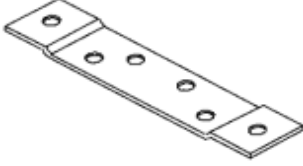
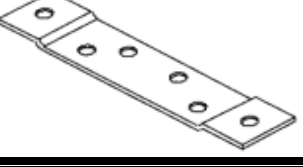
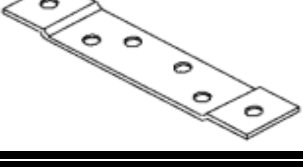
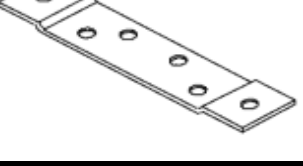
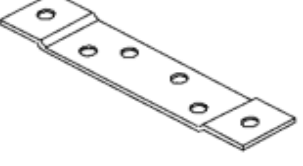
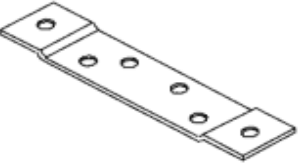
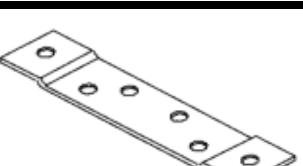
ANCHORS

Part Number	Description	Drawing
Z25	Recessed Z-Clip, 2-1/2" Long x 1-7/16" Deep, 16 Ga.	
Z30	Recessed Z-Clip, 3" Long x 1-7/16" Deep, 16 Ga.	
Z35	Recessed Z-Clip, 3-1/2" Long x 1-7/16" Deep, 16 Ga.	
Z40	Recessed Z-Clip, 4" Long x 1-7/16" Deep, 16 Ga.	
Z45	Recessed Z-Clip, 4-1/2" Long x 1-7/16" Deep, 16 Ga.	
Z50	Recessed Z-Clip, 5" Long x 1-7/16" Deep, 16 Ga.	
Z55	Recessed Z-Clip, 5-1/2" Long x 1-7/16" Deep, 16 Ga.	
Z60	Recessed Z-Clip, 6" Long x 1-7/16" Deep, 16 Ga.	

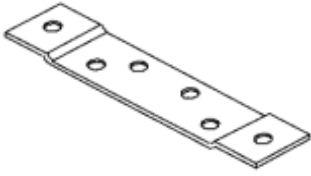
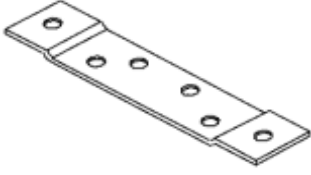
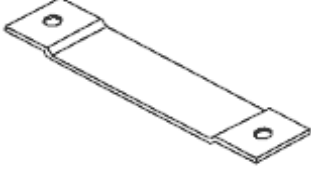
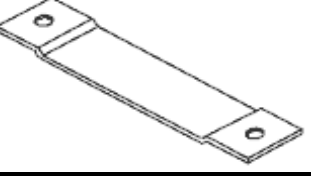
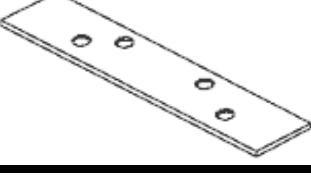
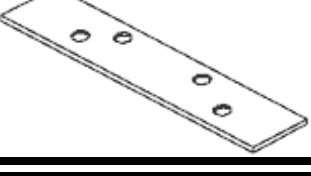
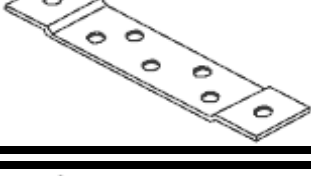
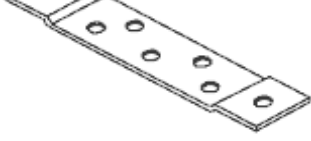
ANCHORS

Part Number	Description	Drawing
FZ20	Full Z-Clip, 2" Long x 1-15/16" Deep, 16 Ga.	
FZ25	Full Z-Clip, 2-1/2" Long x 1-15/16" Deep, 16 Ga.	
FZ30	Full Z-Clip, 3" Long x 1-15/16" Deep, 16 Ga.	
FZ35	Full Z-Clip, 3-1/2" Long x 1-15/16" Deep, 16 Ga.	
FZ40	Full Z-Clip, 4" Long x 1-15/16" Deep, 16 Ga.	
FZ45	Full Z-Clip, 4-1/2" Long x 1-15/16" Deep, 16 Ga.	
FZ50	Full Z-Clip, 5" Long x 1-15/16" Deep, 16 Ga.	
FZ55	Full Z-Clip, 5-1/2" Long x 1-15/16" Deep, 16 Ga.	
FZ60	Full Z-Clip, 6" Long x 1-15/16" Deep, 16 Ga.	

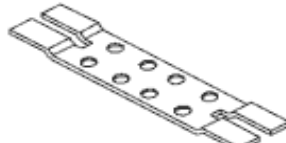
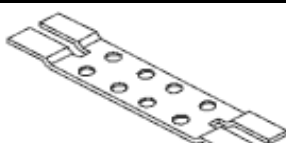
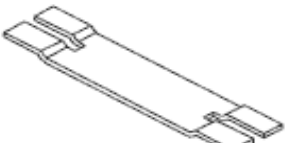
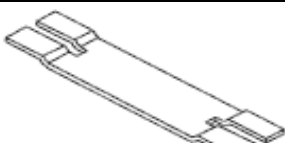
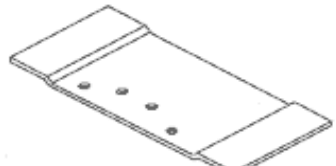
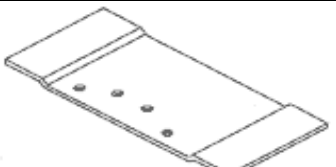
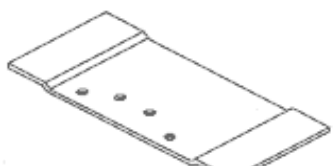
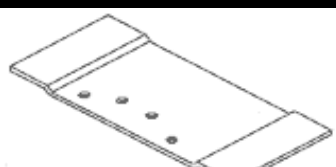
HINGE REINFORCEMENTS & ACCESSORIES

Part Number	Description	Drawing
100	3-1/2" Hinge Reinforcement, 1-1/16" x 8-1/2", 1/16" Offset, .120 Hinge Weight, For Door or Frame, 10 Ga.	
110	4" Hinge Reinforcement, 1-1/4" x 10", 3/32" Offset, .124 Hinge Weight, For Door or Frame, 7 Ga.	
120	4-1/2" Hinge Reinforcement, 1-1/4" x 10", 3/32" Offset, .134 Hinge Weight, For Door or Frame, 7 Ga.	
130	4-1/2" Hinge Reinforcement, 1-1/2" x 10", 3/32" Offset, .134 Hinge Weight, For Frame, 7 Ga.	
140	4-1/2" Hinge Reinforcement, 1-1/4" x 10", 1/8" Offset, .190 Hinge Weight, For Door or Frame, 7 Ga.	
150	4-1/2" Hinge Reinforcement, 1-1/2" x 10", 1/8" Offset, .190 Hinge Weight, For Frame, 7 Ga.	
160	5" Hinge Reinforcement, 1-1/4" x 10", 3/32" Offset, .146 Hinge Weight, For Door or Frame, 7 Ga.	
170	5" Hinge Reinforcement, 1-1/2" x 10", 3/32" Offset, .146 Hinge Weight, For Frame, 7 Ga.	

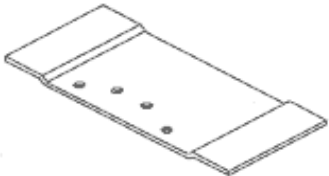




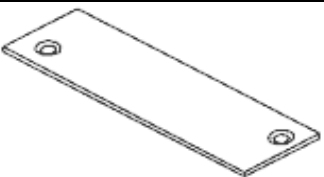
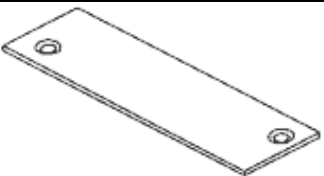
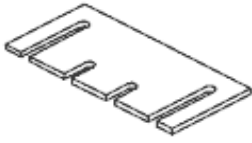
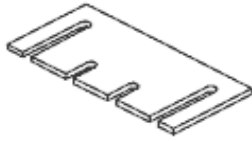
HINGE REINFORCEMENTS & ACCESSORIES

Part Number	Description	Drawing
180	5" Hinge Reinforcement, 1-1/4" x 10", 1/8" Offset, .190 Hinge Weight, For Door or Frame, 7 Ga.	
190	5" Hinge Reinforcement, 1-1/2" x 10", 1/8" Offset, .190 Hinge Weight, For Frame, 7 Ga.	
200	4-1/2" Hinge Reinforcement, 1-1/4" x 10", 3/32" Offset, No Holes or Tap, For Door or Frame, 7 Ga.	
210	5" Hinge Reinforcement, 1-1/4" x 10", 3/32" Offset, No Holes or Tap, For Door or Frame, 7 Ga.	
215	4-1/2" Hinge Reinforcement, 1-1/4" x 10", No Offset, Flat, For Door, 7 Ga.	
216	5" Hinge Reinforcement, 1-1/4" x 10", No Offset, Flat, For Door, 7 Ga.	
217	6" Hinge Reinforcement, 1-1/4" x 12", 7/64" Offset, .160 Hinge Weight, For Door or Frame, 7 Ga.	
218	6" Hinge Reinforcement, 1-1/4" x 12", 9/64" Offset, .203 Hinge Weight, For Door or Frame, 7 Ga.	

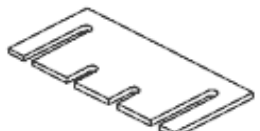
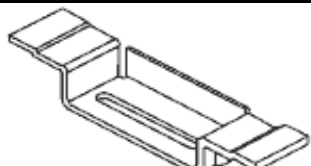
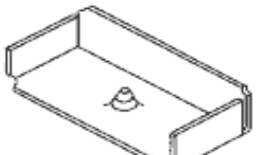
HINGE REINFORCEMENTS & ACCESSORIES

Part Number	Description	Drawing
700	4-1/2" Split-Tail Hinge Reinforcement, 1-1/4" x 8-1/2", 3/32" Offset, 8 Holes Reversible, 7 Ga.	
710	5" Split-Tail Hinge Reinforcement, 1-1/4" x 8-1/2", 3/32" Offset, 8 Holes Reversible, 7 Ga.	
720	4-1/2" Split-Tail Hinge Reinforcement, 1-1/4" x 10", 3/32" Offset, No Holes, 7 Ga.	
740	5" Split-Tail Hinge Reinforcement, 1-1/4" x 10", 3/32" Offset, No Holes, 7 Ga.	
332	4-1/2" Hinge Reinforcement, Full Width 4-3/4" Jamb, 4-3/8" x 10" 3/32" Offset, .134 Hinge Weight, High Frequency Doors, 7 Ga.	
333	4-1/2" Hinge Reinforcement, Full Width 5-3/4" Jamb, 5-3/8" x 10" 3/32" Offset, .134 Hinge Weight, High Frequency Doors, 7 Ga.	
334	4-1/2" Hinge Reinforcement, Full Width 6-3/4" Jamb, 6-3/8" x 10" 3/32" Offset, .134 Hinge Weight, High Frequency Doors, 7 Ga.	
335	4-1/2" Hinge Reinforcement, Full Width 7-3/4" Jamb, 7-3/8" x 10" 3/32" Offset, .134 Hinge Weight, High Frequency Doors, 7 Ga.	

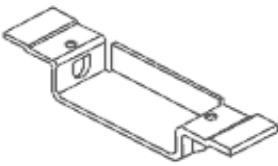
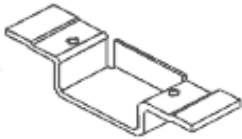

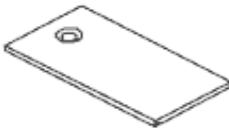

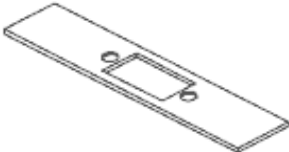
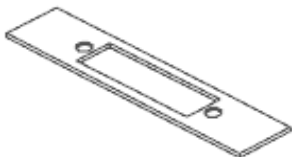
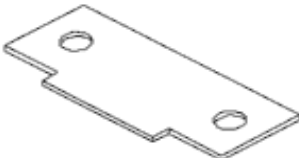
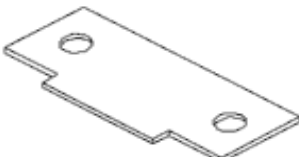
HINGE REINFORCEMENTS & ACCESSORIES

Part Number	Description	Drawing
336	4-1/2" Hinge Reinforcement, Full Width 8-3/4" Jamb, 8-3/8" x 10" 3/32" Offset, .134 Hinge Weight, High Frequency Doors, 7 Ga.	
219	Soss 218 Hinge Reinforcement, 1-1/4" x 4", 11/32" Offset, For Door or Frame, 7 Ga.	
220	Hinge Filler, 4-1/2" x 1-1/2", Machined C.S. Holes, For Door, 10 Ga.	
230	Hinge Filler, 4-1/2" x 1-5/8", Machined C.S. Holes, For Frame, 10 Ga.	
240	Hinge Filler, 4-1/2" x 1-3/4", Machined C.S. Holes, For Door, 10 Ga.	
242	Hinge Filler, 5" x 1-1/2", Machined C.S. Holes, For Door, 10 Ga.	
244	Hinge Filler, 5" x 1-5/8", Machined C.S. Holes, For Frame, 10 Ga.	
250	4-1/2" Shim, 1/16" (.060), For Door or Frame, 16 Ga.	
255	4-1/2" Shim, 1/32" (.030), For Door or Frame, 22 Ga.	

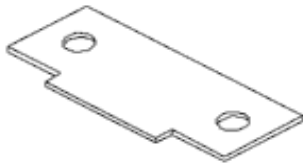
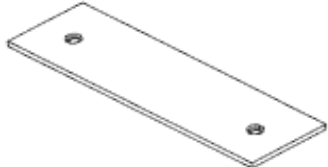
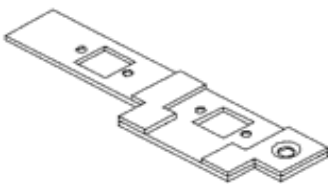
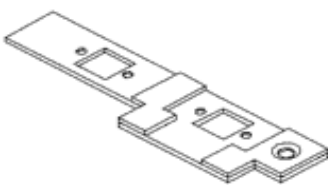
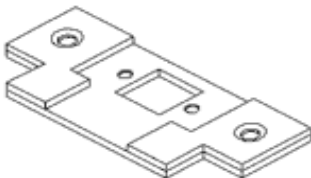
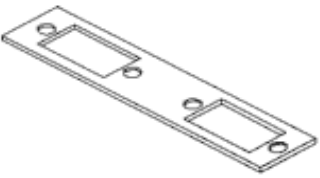
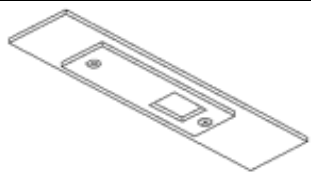
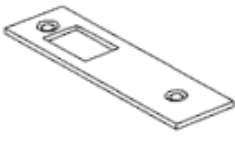
HINGE REINFORCEMENTS & ACCESSORIES

Part Number	Description	Drawing
260	5" Shim, 1/16" (.060), For Door or Frame, 16 Ga.	
270	Dust Cover Box, Frame Hinge, 3/4" Deep, Full Cover, 25 Ga.	
280	Dust Cover Box, Frame Hinge, 5/16" Deep, Covers Tapped Holes, 25 Ga.	


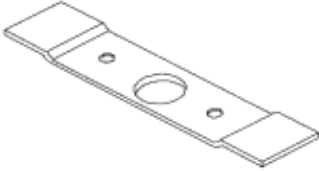

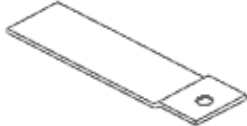
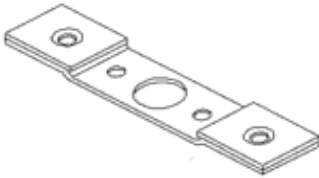
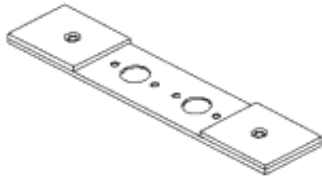
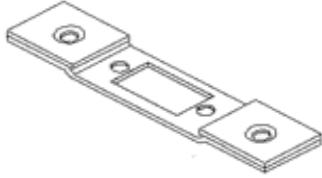
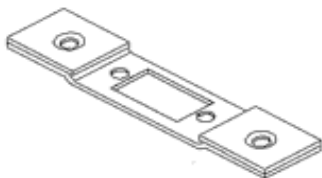
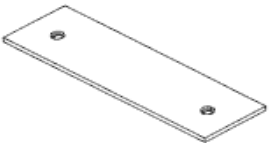
LOCK AND STRIKE REINFORCEMENTS & ACCESSORIES

Part Number	Description	Drawing
340	4-7/8" Strike Reinforcement, With Dust Cover, 12-24 Tap, 16 Ga.	
350	2-3/4" Strike Reinforcement, With Dust Cover, 8-32 Tap, 16 Ga.	
360	4-7/8" Strike Reinforcement, 1" x 2-1/2" Tab, 3/32" Offset, 12-24 Tap, 11 Ga.	
365	4-7/8" Strike Reinforcement, 1" x 2-1/2" Tab, No Offset - Flat, 12-24 Tap, 11 Ga.	
370	2-3/4" Strike Reinforcement, 1" x 2-1/2" Tab, 3/32" Offset, 8-32 Tap, 11 Ga.	
375	2-3/4" Strike Reinforcement, 1" x 2-1/2", 7/8" x 1-1/4" Hole, 8-32 Tap, 12 Ga.	
377	4-7/8" Strike Reinforcement, 1-1/2" x 8-1/2", 1-1/8" x 3-1/2" Hole, .040 Offset, 12-24 Tap, 14 Ga.	
400	Strike Filler, 4-7/8" x 1-1/4", 1-5/8" at Lip, For Frame, 11 Ga.	
410	Strike Filler, 4-7/8" x 1-1/4", 1-1/2" at Lip, For Door, 11 Ga.	

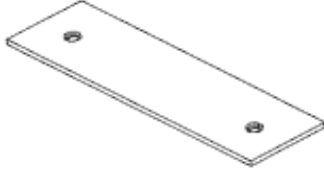
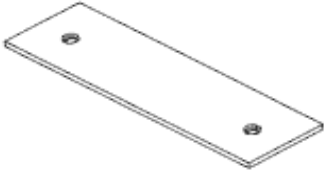
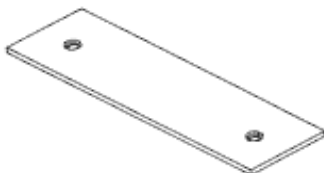



LOCK AND STRIKE REINFORCEMENTS & ACCESSORIES

Part Number	Description	Drawing
420	Strike Filler, 2-3/4" x 1-1/8", 1-1/2" at Lip, For Frame or Door, 11 Ga.	
544	Deadlock Strike Filler, 2-3/4" x 1-1/8", For Frames, 14 Ga.	
425LH	Conversion Assembly, Conversion Assembly, 4-7/8" Strike to "H" Lock, Handed - LH, 11 Ga./16 Ga.	
425RH	Conversion Assembly, 4-7/8" Strike to "H" Lock, Handed - RH, (LH Shown - RH Opposite), 11 Ga./16 Ga.	
426	Conversion Assembly, 4-7/8" Strike to 2-3/4" Strike, 12-24 C.S. 8-32 Tap, 11 Ga.	
427	"H" Lock Strike Reinforcement, 1-1/4" x 8-7/8", Heavy Duty, 12 Ga.	
505	Reversible Flush Bolt Strike, With Backing Place, 1-1/8" x 3-3/4", 8-32 Tap, 16 Ga.	
505-A	Reversible Flush Bolt Strike, 15/16" x 3-3/4", 16 Ga.	

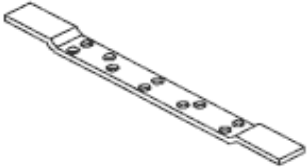
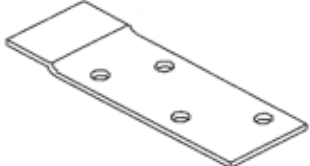
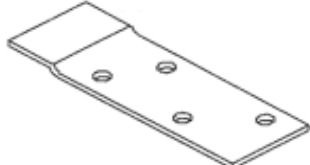
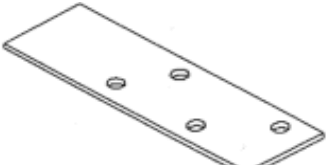
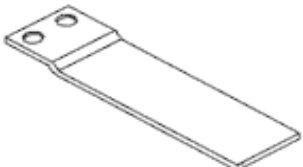
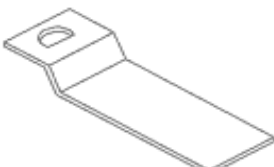
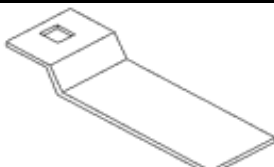
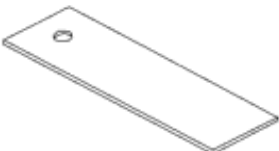
LOCK AND STRIKE REINFORCEMENTS & ACCESSORIES

Part Number	Description	Drawing
430	Cylinder Lock - Dead Lock, 1" x 2-1/2", 5/32" Offset, 8-32 Tap, 11 Ga.	
440	Cylinder Lock - Dead Lock, 1-1/4" x 4-1/2", 3/32" Offset, 1" Hole, 8-32 Tap, 12 Ga.	
441	Cylinder Lock - Dead Lock, 1-1/4" x 4-1/2", No Offset - Flat, 1" Hole, 8-32 Tap, 14 Ga.	
450	Mortise Lock Tab, 1" x 2-1/2", 3/16" Offset, 12-24 Tap, 11 Ga.	
460	Conversion Assembly, Mort Lock to Cylinder Lock, 1-1/4" x 8", 3/8" Off Center, 1-1/8" x 2-1/4" Face Plate, 12 Ga.	
463	Conversion Assembly, Mort Lock to Falcon Lock, 1-1/4" x 8", 3/8" Off Center, 2-1/4" C.L., 12 Ga.	
465	Conversion Assembly, Mort Lock to Corbin D.B., 1-1/4" x 8", 1-1/4" x 4-3/4" Face Plate, 12 Ga.	
470	Conversion Assembly, Mort Lock to 4-7/8" Strike, 1-1/4" x 8", 3/8" Off Center, 1-1/8" x 2-1/4" Face Plate, 12 Ga.	
510	86 Mortise Lock Filler, 1-1/4" x 8", Machined C.S. Holes, 7 Ga.	


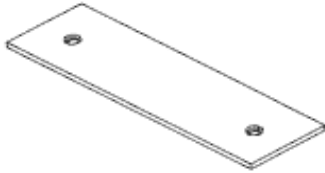
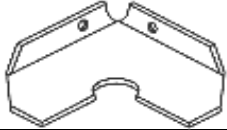
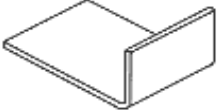
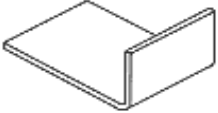
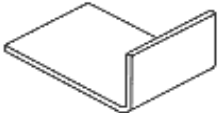
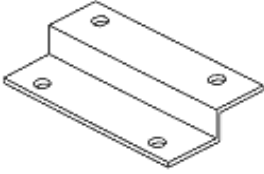
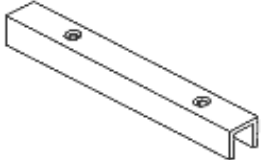
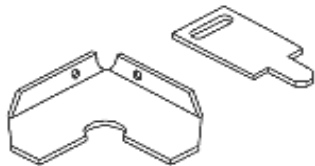
LOCK AND STRIKE REINFORCEMENTS & ACCESSORIES

Part Number	Description	Drawing
520	161 Cylinder Lock Filler, 1-1/8" x 2-1/4", Machined C.S. Holes, 11 Ga.	
522	160 Cylinder Lock Filler, 1" x 2-1/4", Machined C.S. Holes, 11 Ga.	
542	Deadlock Filler, 1-1/8" x 2-1/4", Machined C.S. Holes, For Doors, 10 Ga.	
640	161 Face Filler, 2-3/32" Diameter, 18 Ga.	
645	161 Face Cover, 2-1/2" Diameter, Welded Post One Side, 8-32 Phillips Screw, 18 Ga.	
647	161 Face Cover, 2-1/2" Diameter, Welded Post One Side, Under Rim Panic Device, 18 Ga.	


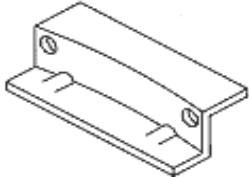
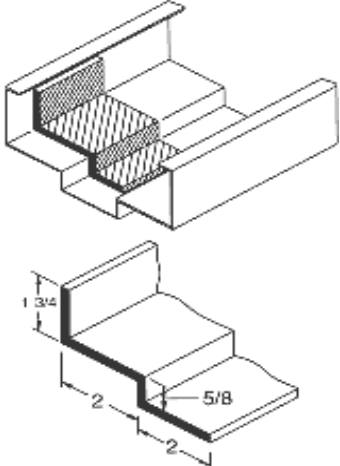
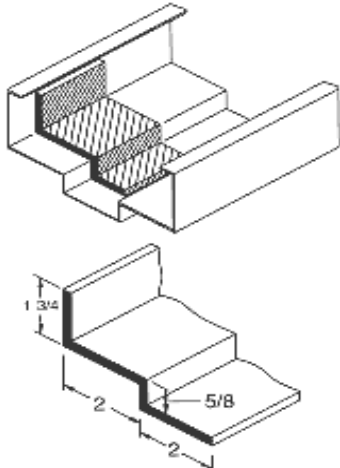

MISCELLANEOUS REINFORCEMENTS & ACCESSORIES

Part Number	Description	Drawing
290-300	Rixson M19 Reinforcement, 1-1/4" x 12", For Door or Frame, 7 Ga.	
310	Rixson T27 Reinforcement, 1-1/2" x 8", 3/16" Offset, For LH Frame, 7 Ga.	
320	Rixson T27 Reinforcement, 1-1/2" x 8", 3/16" Offset, For RH Frame, 7 Ga.	
330	Rixson T27 Reinforcement, 1-1/2" x 8-1/4", No Offset - Flat, For Door, 7 Ga.	
480	Flush Bolt Tabs, 1" x 2-1/2", 3/32" Offset, 8- 32 Tap, 1/2" C/L for 1" Body, 11 Ga.	
495	Flush Bolt Guide, 5/16" Offset, 1/2" D-Hole, For Door Top & Bottom, 12 Ga.	
496	Flush Bolt Guide, 5/16" Offset, 1/2" Square Hole, For Door Top & Bottom, 12 Ga.	
500	Flush Bolt Tabs, 1" x 2-1/2", No Offset - Flat, 8- 32 Tap, For Frame Head, 11 Ga.	



MISCELLANEOUS REINFORCEMENTS & ACCESSORIES

Part Number	Description	Drawing
530	Flush Bolt Filler, 1" x 6-3/4", Machined C.S. Holes, For Door, 11 Ga.	
541	Flush Bolt Filler, 15/16" x 2-1/4", Machined C.S. Holes, For Frame, 14 Ga.	
550	Corner Gusset, For Frame Mitre, 18 Ga.	
552	Return Filler, 7/16" x 1" x 1-7/8", For 2" Face Frame, 16 Ga.	
554	Return Filler, 7/16" x 1" x 2-1/2", For 2-5/8" Face Frame, 16 Ga.	
556	Return Filler Strip, 7/16" x 1" x 48", 16 Ga.	
590	Panel Anchor Tap, 2-1/8" x 2-1/2", 1/2" Offset, 4 Mounting Holes, 18 Ga.	
620	Glass Stop 5/8" x 5/8", Punched and Dimpled, 6" Ends, 12" O/C, # 8 Countersink, 10'-0" Lengths, 18 Ga.	
630	KD Kit, Consists of : 4 Corner Gussets (# 550) 8 Locking Tabs (# 650)	

MISCELLANEOUS REINFORCEMENTS & ACCESSORIES

Part Number	Description	Drawing
650	KD Locking Tabs, Set of 8, 16 Ga.	
697	Mullion Clip, Fast Alignment, 16 Ga.	
800	12" Universal Reinforcement, For Frame Head (Closer), 14 Ga.	
810	12" Universal Reinforcement, For Frame Head (Closer), 12 Ga.	
CLO	Closer Reinforcement, 1-3/4" x 16", 12 Ga.	

MISCELLANEOUS REINFORCEMENTS & ACCESSORIES

Part Number	Description	Drawing
3-0	Spreader Bar, 3/4" x 3/4" x 36", 16 Ga.	
6-0	Spreader Bar, 3/4" x 3/4" x 72", 16 Ga.	
10-0	Spreader Bar, 3/4" x 3/4" x 120", 16 Ga.	