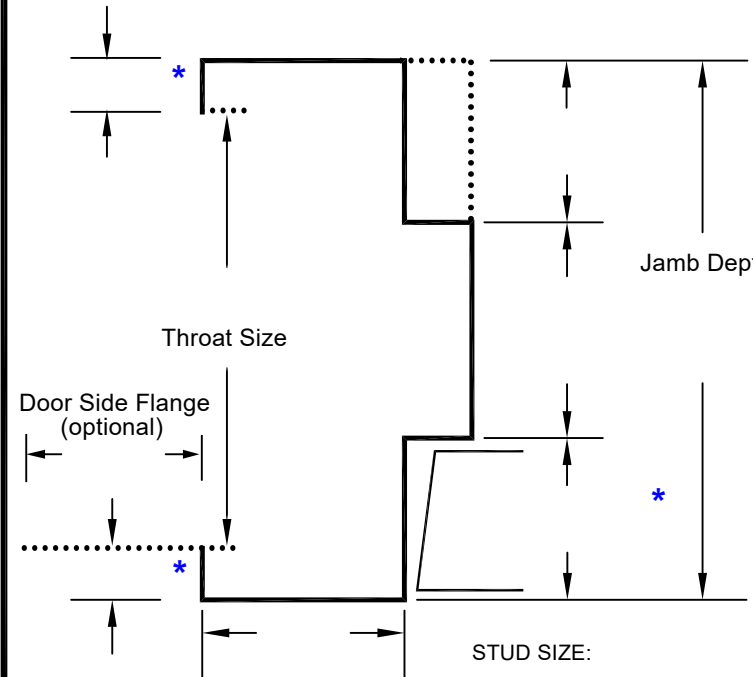
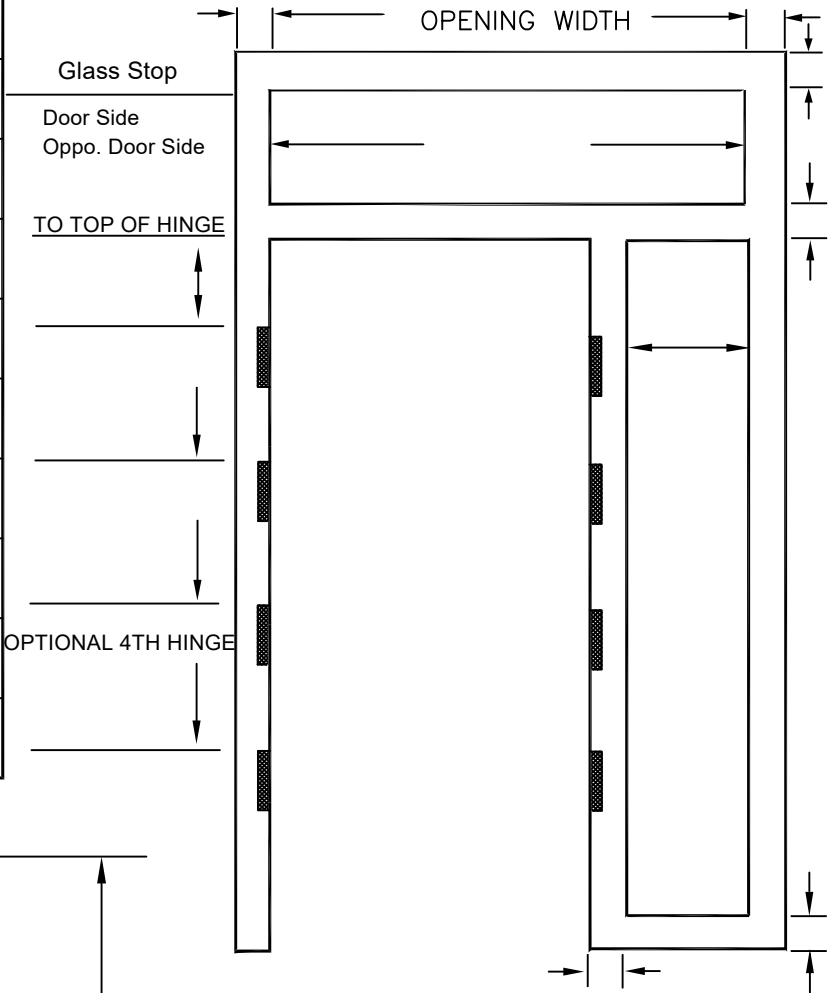


3-Sided Frame w/Sidelite

Material * Construction * Gauge *

All fields marked with an asterisk are prepopulated to DCI standards.

QTY	MARK NUMBER	Ø	Ø		Ø
			Y	P	



HINGE LOCATIONS	* BACKSET *
HINGE TYPE	* STD WEIGHT
HINGE DETAILS:	HEAVY WEIGHT
STRIKE TYPE:	SILENCERS:
STRIKE DETAILS:	

NOTE: All frames include door closer reinforcement.
All welded frames include A4 standard base anchors.

OTHER DETAILS:

Any non-standard transom profile, supply additional detail

ANCHOR TYPE:

For a full description of all DCI anchor types, please refer to our [Technical Data Manual](#).

All stud anchors will be spaced for 5/8" wall board penetration unless otherwise noted



COMPANY NAME :

PO NUMBER :

JOB NAME :

PAGE OF