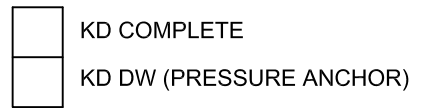
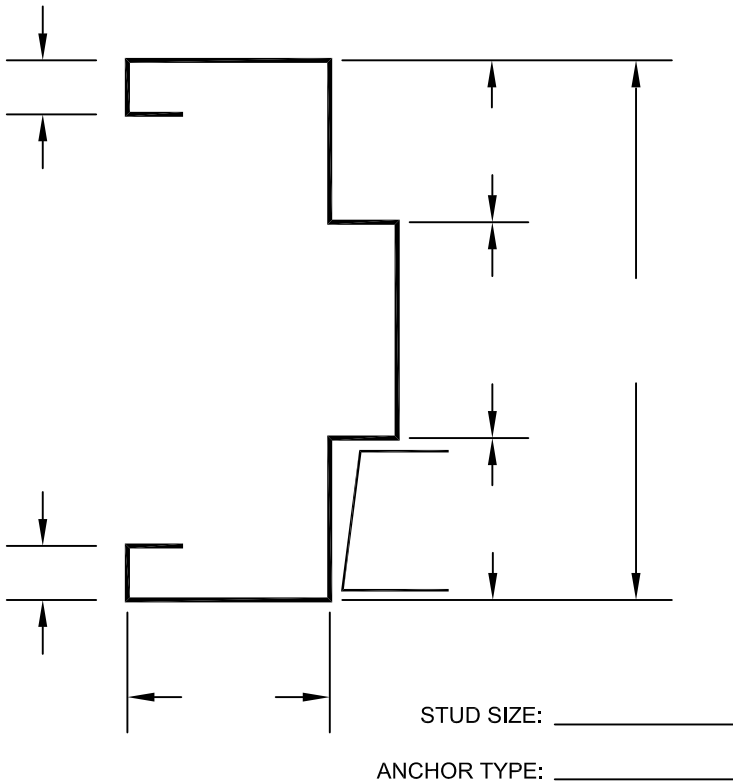
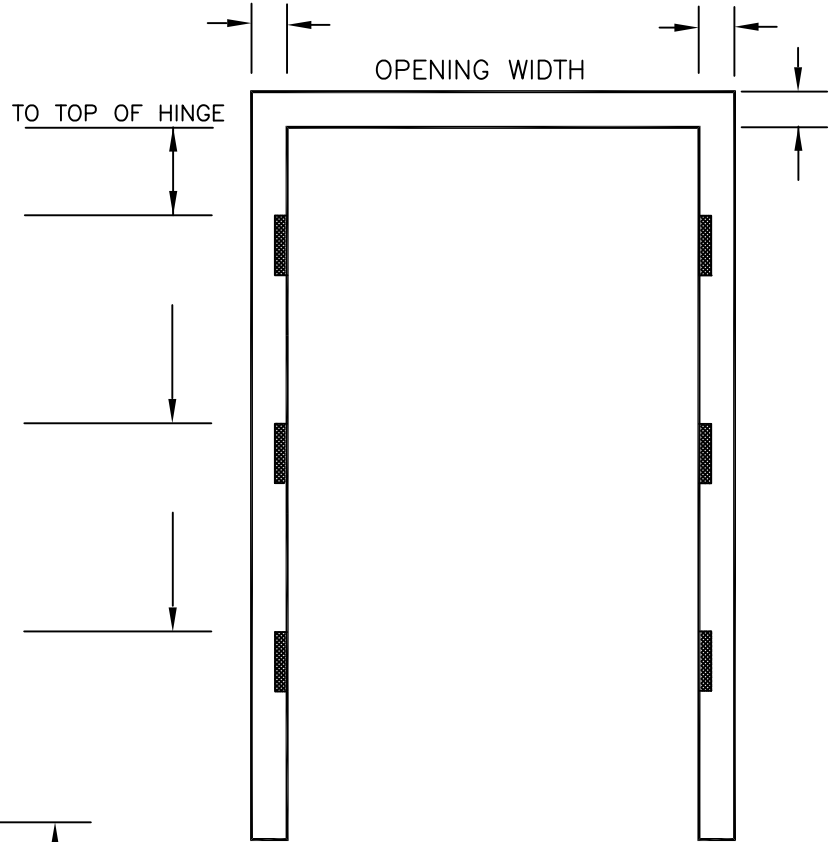


FRAME DATA:

MARK NUMBER	SWING	DIMENSIONS		CLOSER	LABEL MINUTES
		WIDTH (IN)	HEIGHT (IN)		



GAUGE: _____



HINGE:	STAND. BS : 11/32
	OTHER BS:
STRIKE:	STAND. BS : 11/32
	OTHER BS:
SILENCERS:	<input type="checkbox"/>
INSTRUCTIONS:	



SALES ORDER AND FIELD MEASUREMENT

COMPANY NAME :		PO NUMBER :	
DCI FORM	JOB NAME :	PAGE	OF
F6PDRK			