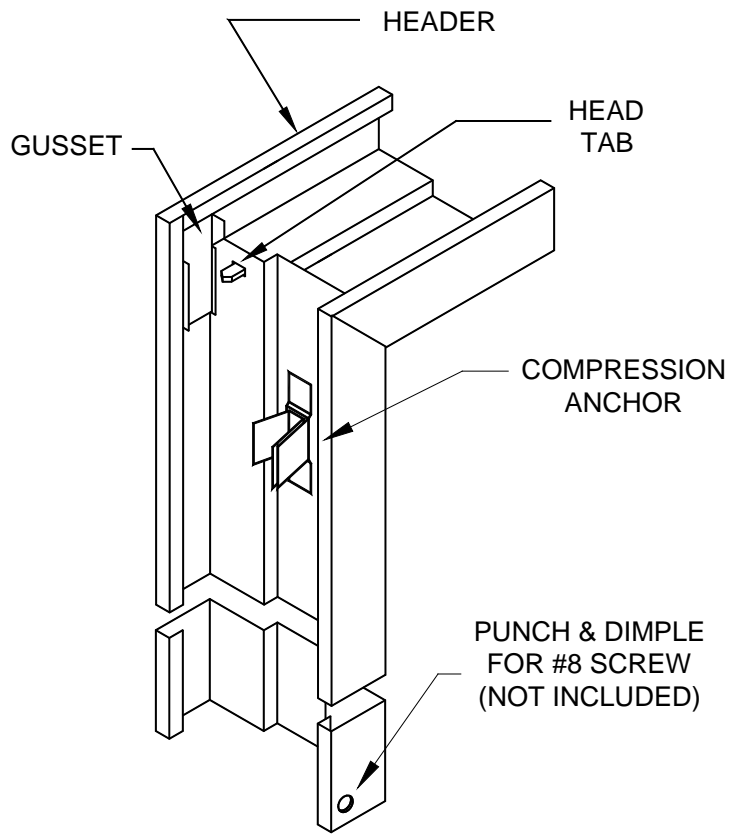
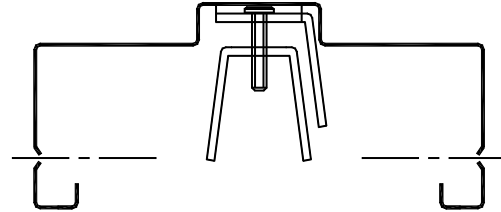
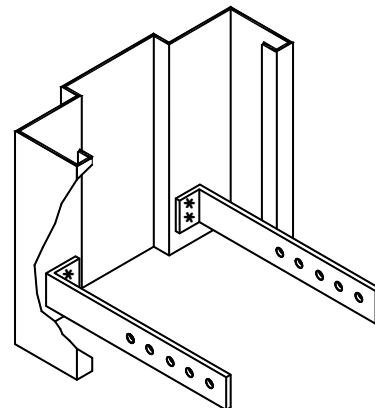


A10 KDDW COMPRESSION ANCHOR

MATERIAL: GALVANNEAL
GAUGE: 16
TWO SPOTWELDS PER END



STANDARD BASE ANCHOR



ALTERNATE BASE ANCHOR
(SEE TO PAGE 1 FOR DETAILS)