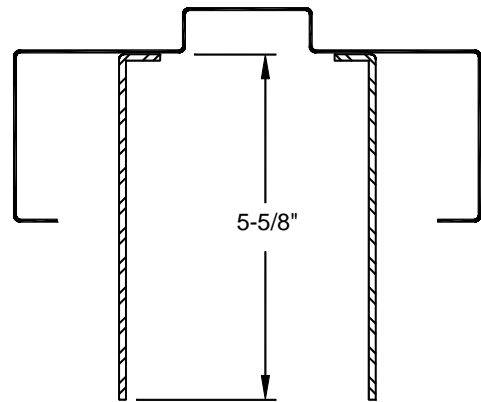
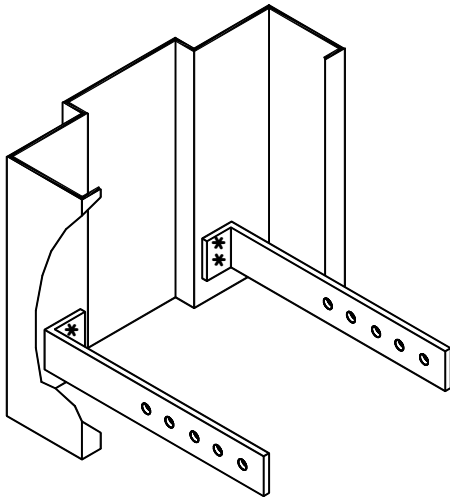


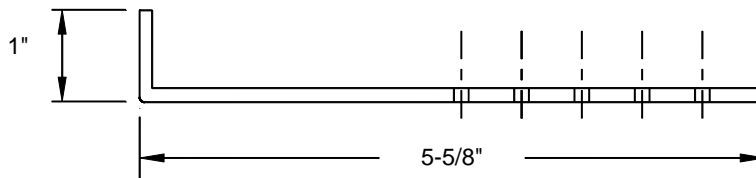
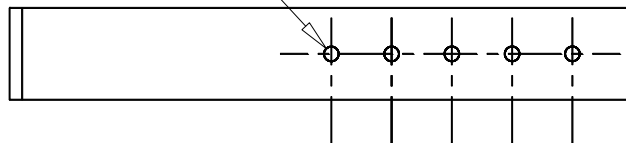
A1 STANDARD STRAP ANCHOR

MATERIAL: GALVANNEAL
GAUGE: 18
TWO SPOTWELDS PER STRAP
WHI AND UL APPROVED



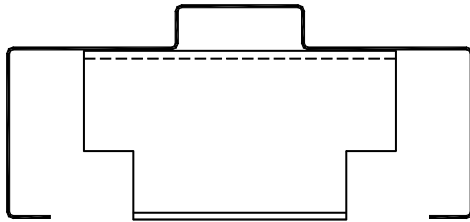
NAILS OR SCREWS FOR WALL ATTACHMENT
NOT INCLUDED

Ø3/16"
(5 PL. 5/8" FROM END AND 5/8" ON CENTER.)

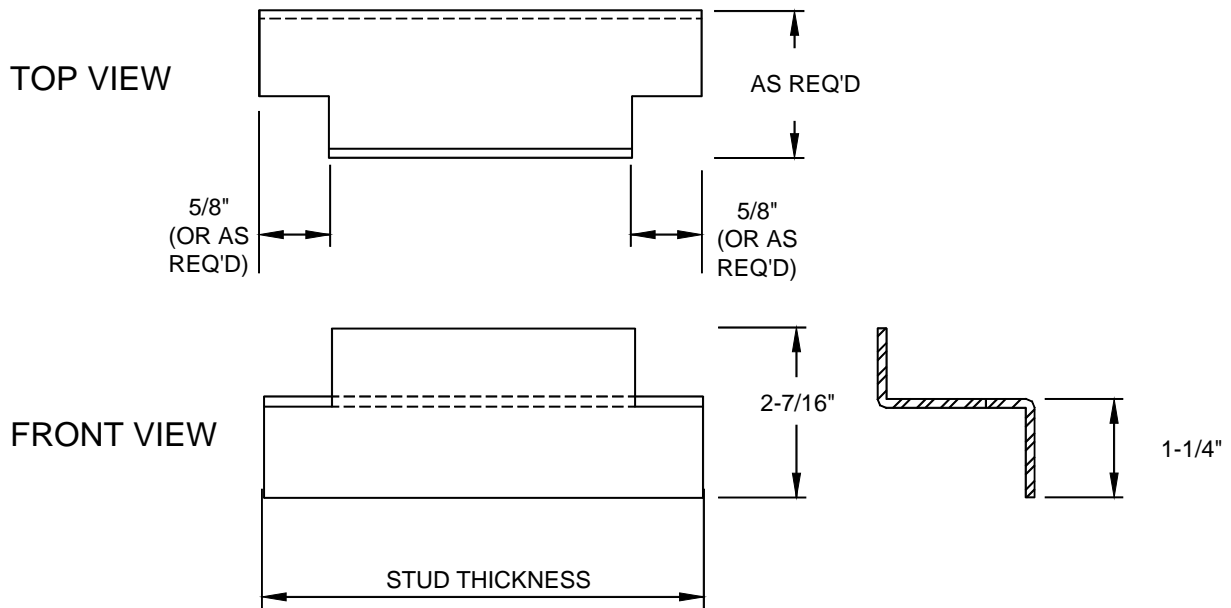
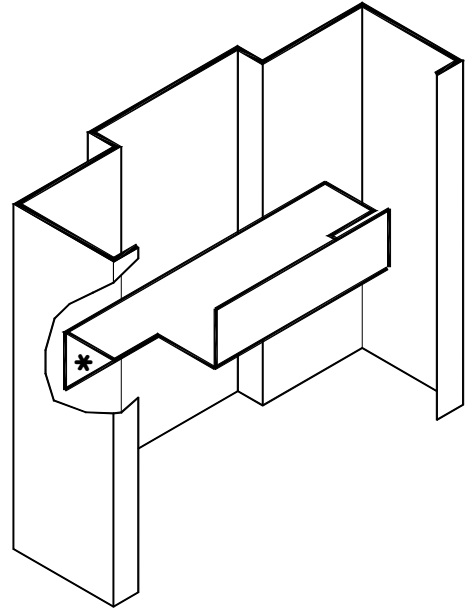


A2 FLUSH METAL STUD ANCHOR

MATERIAL: GALVANNEAL
GAUGE: 16
TWO SPOTWELDS PER END
WHI AND UL APPROVED

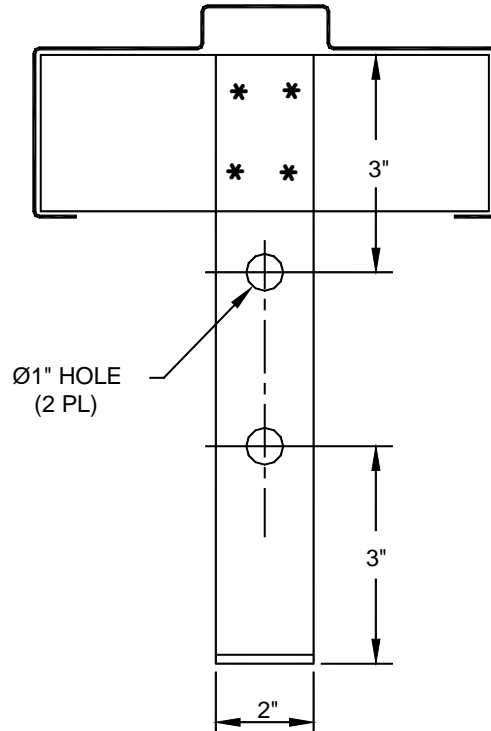
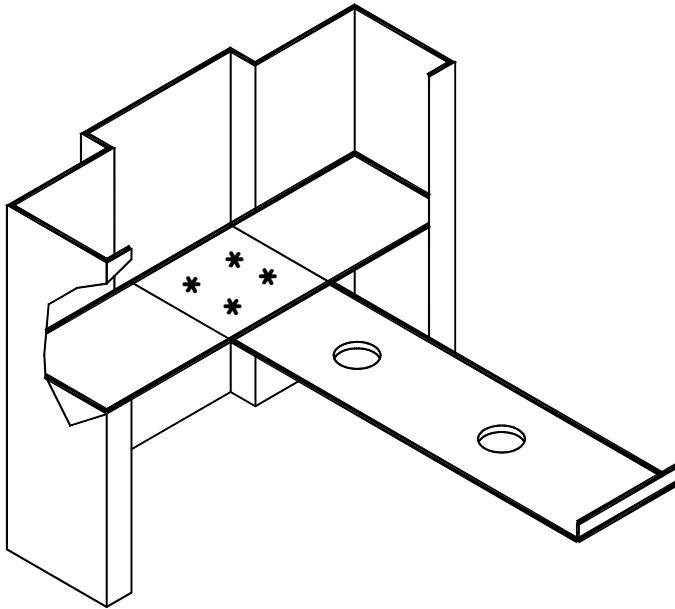


SCREWS USED TO FASTEN TO STUD
NOT INCLUDED



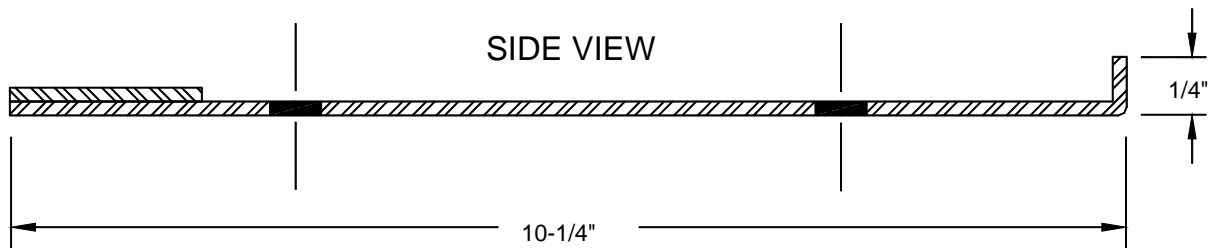
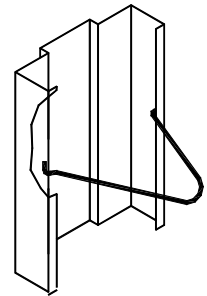
A5 MASONRY "TEE" ANCHOR

MATERIAL: GALVANNEAL
GAUGE: 16
WELDED: (4) SPOTWELDS
THIS ANCHOR SHIPS LOOSE
WHI AND UL APPROVED



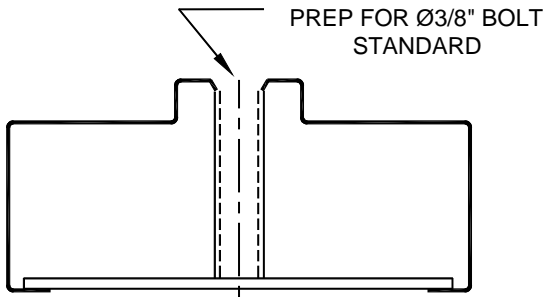
ALTERNATE
A6 ANCHOR

3/16" DIA
WIRE ANCHOR

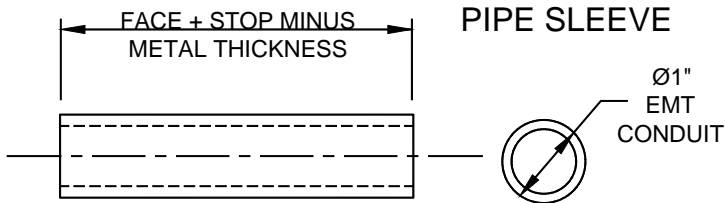


A7 PUNCH & DIMPLE MASONRY ANCHOR

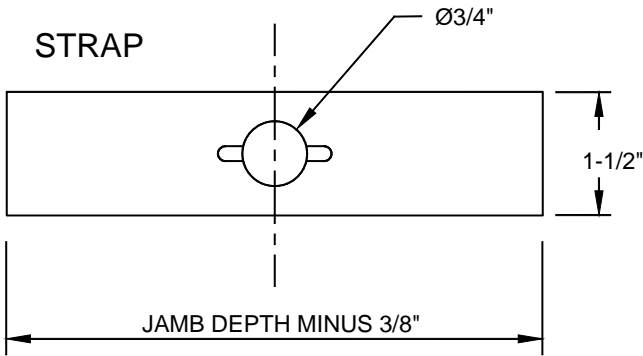
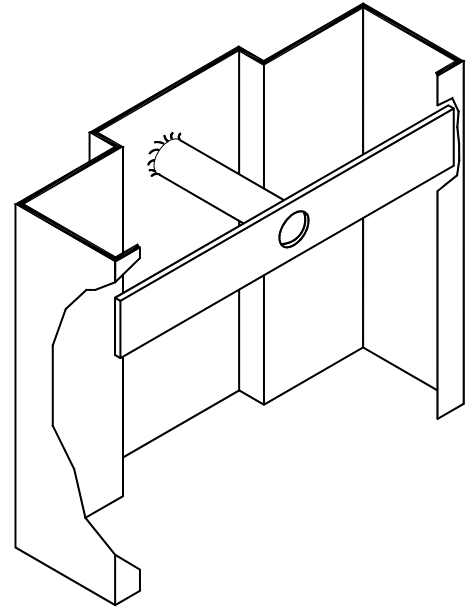
GAUGE: 16
 TACK WELDED
 WHI AND UL APPROVED



ANCHOR BOLTS NOT INCLUDED



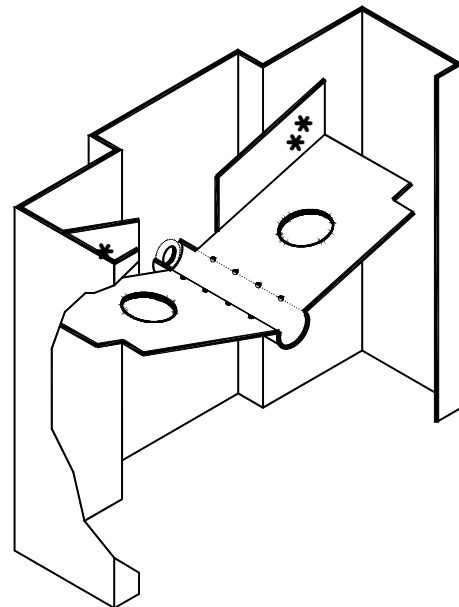
STANDARD FOR JAMBS WITH CUSTOM
 FACES
 AND PROFILES



A7B ALTERNATE ANCHOR "BUTTERFLY ANCHOR"

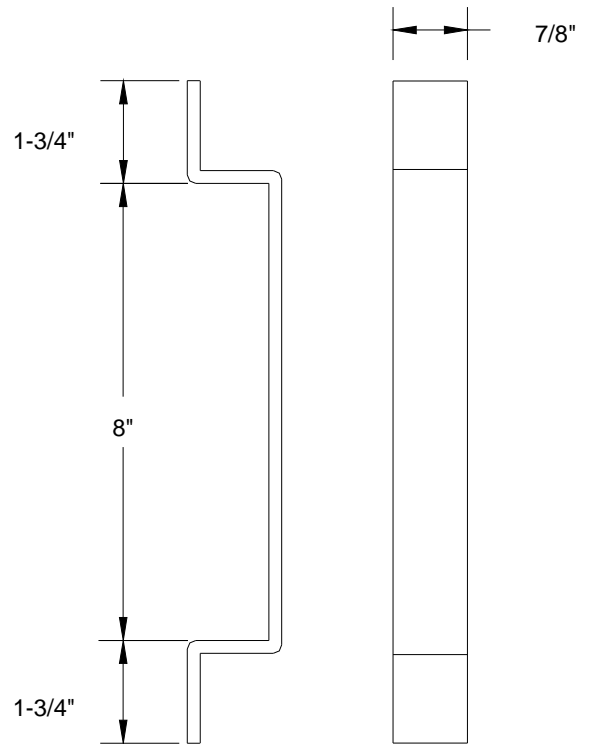
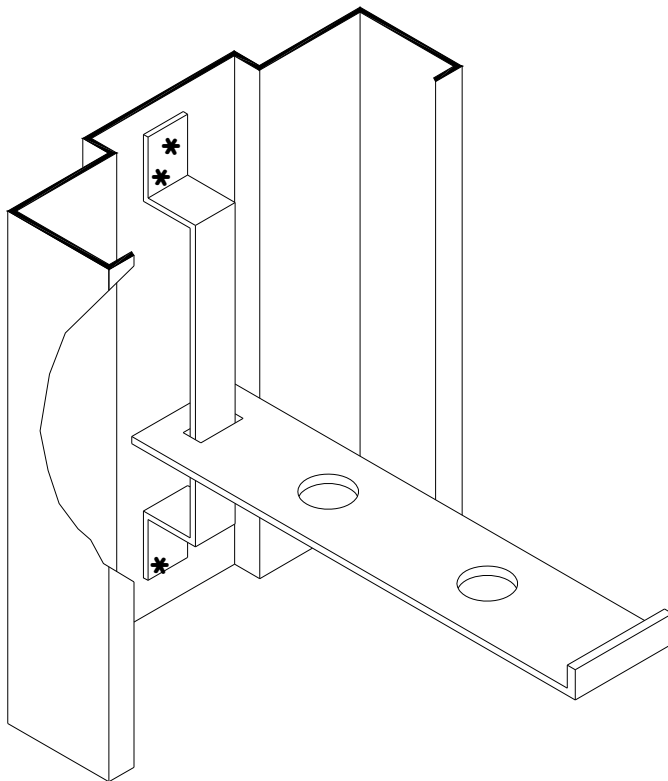
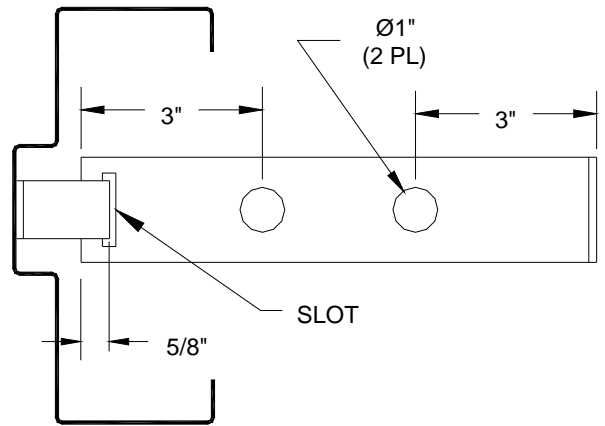
16 GAUGE - 2 SPOTWELDS PER END

STANDARD FOR JAMBS WITH 2" FACES
 AND UNDER 10" JAMB DEPTH

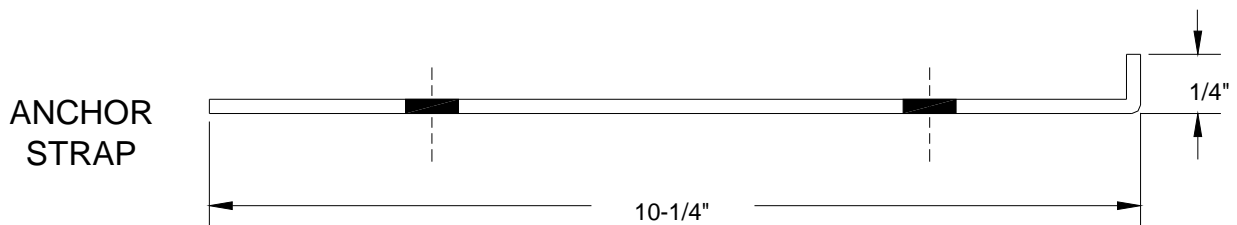


A11 ADJUSTABLE MASONRY ANCHOR

MATERIAL: GALVANNEAL
 GAUGE: 16
 TWO SPOT WELDS PER END
 WHI AND UL APPROVED



ADJUSTABLE HAT
 SECTION



ANCHOR
 STRAP

