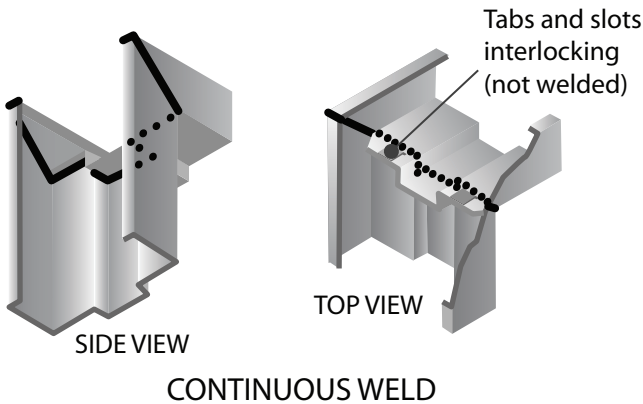
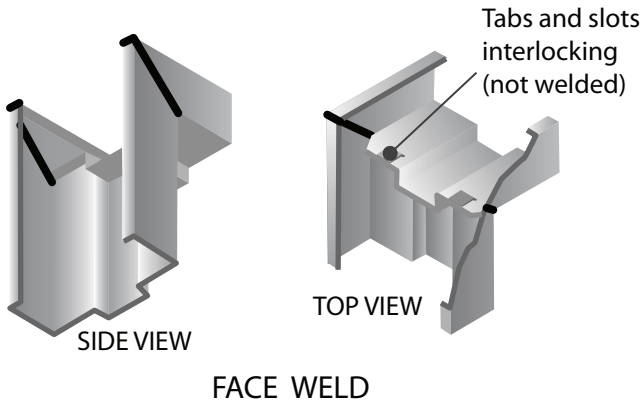


# Frame Welds



Take advantage of the full Door Components treatment; let Door Components provide that finish stage to your project

- Face welds
- Continuous welds (additional charge)
- TIG welds
- Quality welding by factory-trained technicians
- Professional grinding and baked-on primer paint finish
- No mismatched or missing components
- No jobsite sorting of stick components
- No additional time loss; same delivery time welded or KD
- Picked up at our dock or delivered to your shop or job, ready to install
- Strict adherence to welding standards; OSHPOD-quality welds
- No need for certified welder at jobsite
- No certified payroll requirement, for a factory-complete product

