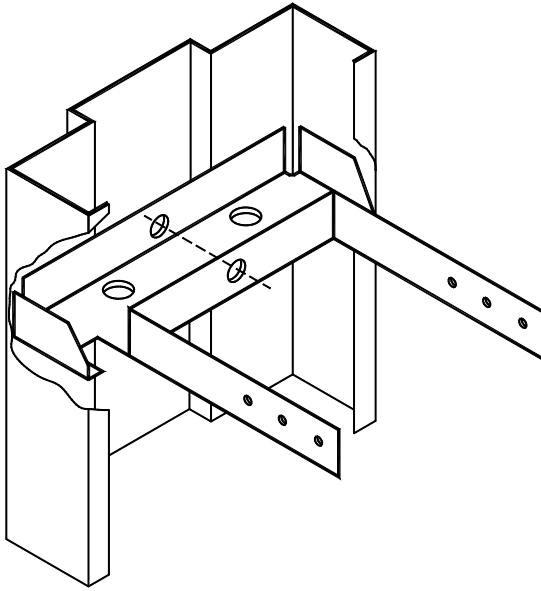


A9T "TWIST-IN" UNIVERSAL ANCHOR

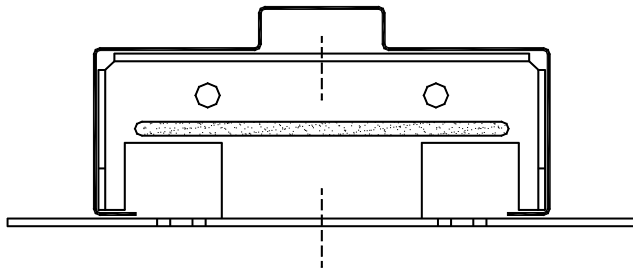
MATERIAL: GALVANNEAL
GAUGE: 18

MAY BE MANUFACTURED FOR CUSTOM
JAMB DEPTHS, FACES AND PROFILES.

STOCKED FOR THE FOLLOWING
JAMB DEPTHS - SHIPS LOOSE.



JAMB DEPTH	FACE
4-3/4"	2"
5-3/4"	2"
6-1/4"	2"
6-3/4"	2"
7-1/4"	2"
7-3/4"	2"
8-1/4"	2"
8-3/4"	2"



ALTERNATE A9W ANCHOR

WELDED IN -
FOR CUSTOM PROFILES

