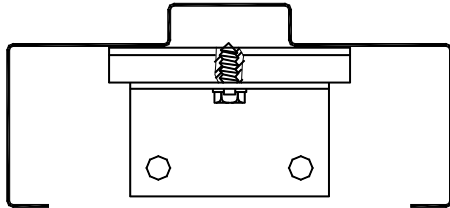
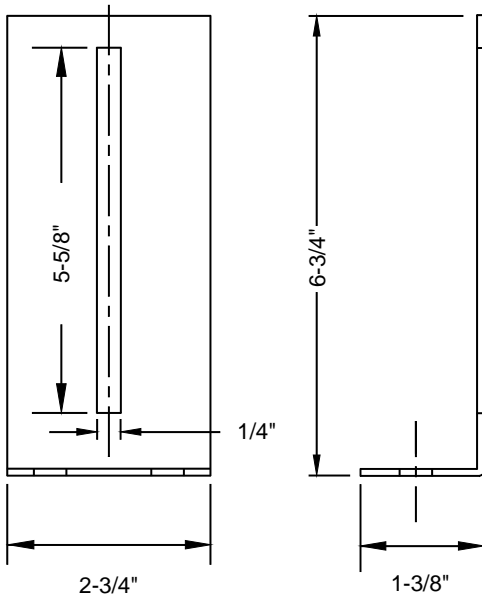
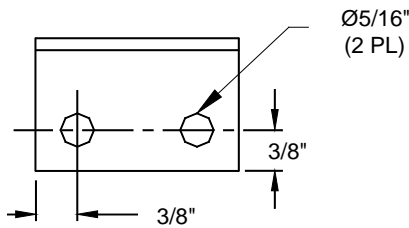
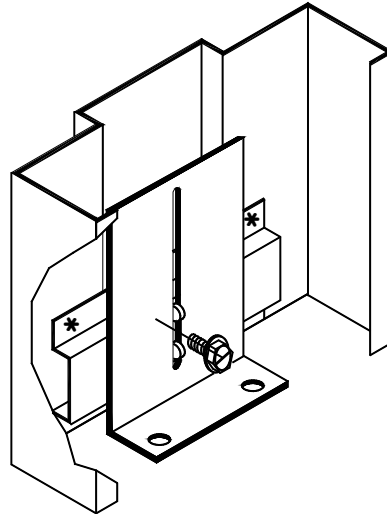


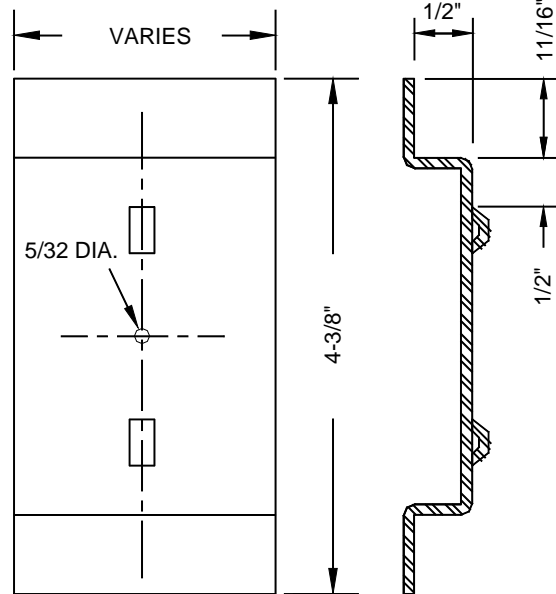
MATERIAL: GALVANNEAL
 GAUGE: 16
 TWO SPOT WELDS PER END



ANCHOR BOLTS USED FOR FLOOR CONNECTION ARE NOT INCLUDED



ADJUSTABLE ANGLE



HAT STRAP