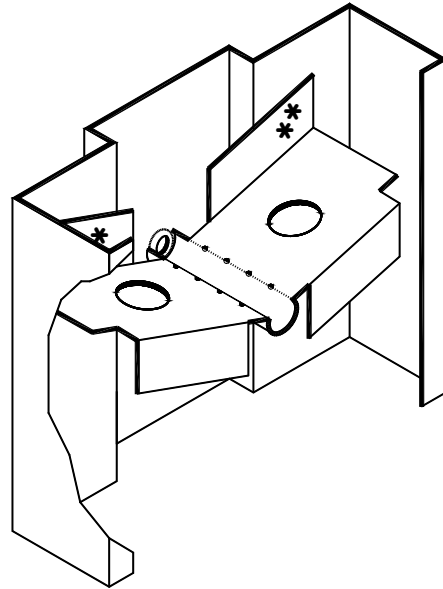


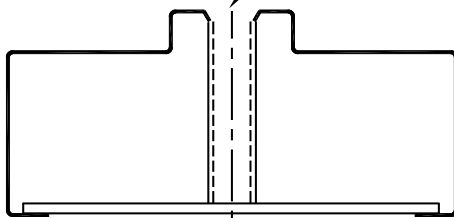
A7B "BUTTERFLY ANCHOR"

18 GAUGE - 2 SPOT WELDS PER SIDE

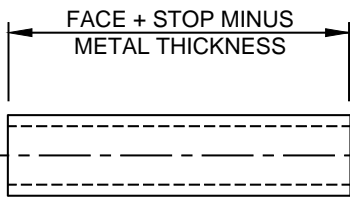
STANDARD FOR JAMBS WITH 2" FACES AND UNDER 9" JAMB DEPTH



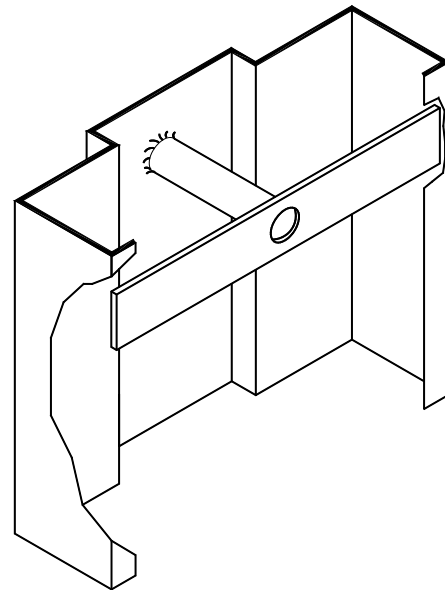
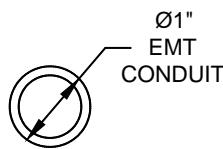
PREP FOR Ø3/8" BOLT STANDARD



ANCHOR BOLTS NOT INCLUDED



PIPE SLEEVE



A7P ALTERNATE ANCHOR "PIPE AND STRAP"

16 GAUGE - 2 TACK WELDS PER END

STANDARD ONLY FOR JAMBS WITH CUSTOM FACES AND PROFILES

STRAP

