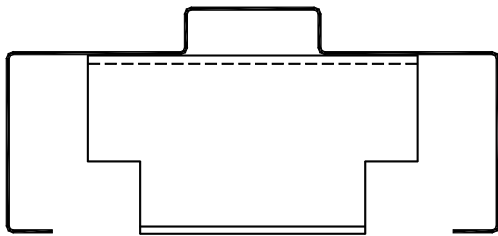
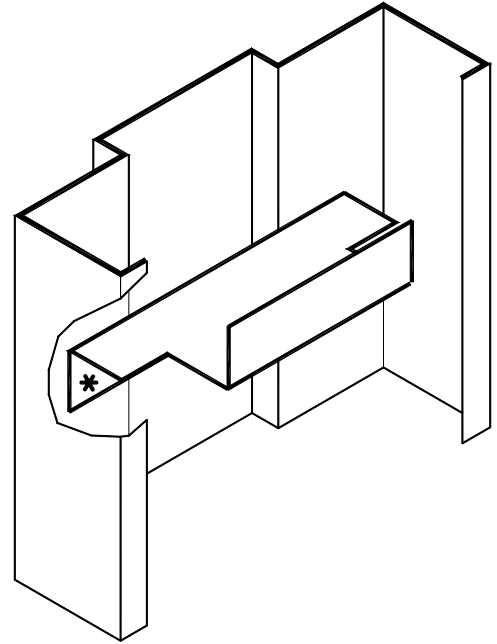


# A2 FLUSH METAL STUD ANCHOR

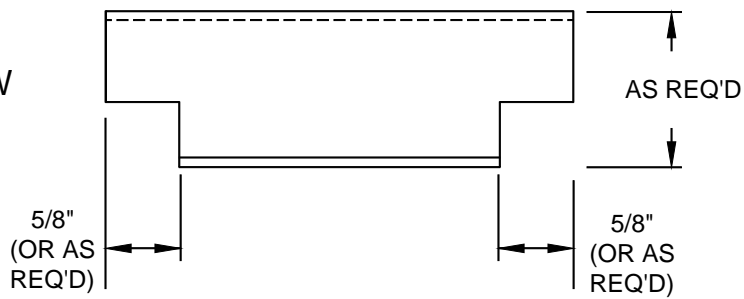
MATERIAL: GALVANNEAL  
GAUGE: 16  
TWO SPOTWELDS PER END



SCREWS USED TO FASTEN TO STUD  
NOT INCLUDED



TOP VIEW



FRONT VIEW

